

MHI
Copy 3

FM 2-30

WAR DEPARTMENT FIELD MANUAL

CAVALRY RECONNAISSANCE SQUADRON MECHANIZED

WAR DEPARTMENT - 28 AUGUST 1944

WAR DEPARTMENT FIELD MANUAL
FM 2-30

CAVALRY
RECONNAISSANCE SQUADRON
MECHANIZED



WAR DEPARTMENT

•

28 AUGUST 1944

United States Government Printing Office
Washington: 1944

WAR DEPARTMENT

WASHINGTON 25, D. C., 28 AUGUST 1944.

FM 2-30, Cavalry Reconnaissance Squadron, Mechanized, is published for the information and guidance of all concerned.

BY ORDER OF THE SECRETARY OF WAR:

G. C. MARSHALL,
Chief of Staff.

OFFICIAL:

J. A. ULIO,
Major General,
The Adjutant General.

DISTRIBUTION:

As prescribed in paragraph 9a, FM 21-6 except D 2, 7, 17 (10), Gen and Sp Sv Schs (10) except Armd Sch and Cav Sch (300); B 2 (5), 18 (2); R 17 (2); Bn 18 (2); I Bn 2 (5), 6, 7, 17 (2); I C 2, 17 (5).

I Bn 2: T/O & E 2-25;

I Bn 6: T/O & E 6-165;

I Bn 7: T/O & E 7-25;

I Bn 17: T/O & E 17-25;

IC 2: T/O & E 2-22; 2-26; 2-27; 2-28;

IC 17: T/O & E 17-17.

For explanation of symbols, see FM 21-6.

CONTENTS

| | <i>Paragraphs</i> | <i>Page</i> |
|---------------------------------------------------------------------|-------------------|-------------|
| CHAPTER 1. GENERAL. | | |
| <i>Section I.</i> Purpose and scope | 1- 2 | 1 |
| <i>II.</i> Organization and equipment | 3- 4 | 1 |
| <i>III.</i> Training | 5- 7 | 4 |
| <i>IV.</i> Duties of squadron head- quarters personnel | 8 | 6 |
| <i>V.</i> Communication | 9-14 | 10 |
| CHAPTER 2. EMPLOYMENT. | | |
| <i>Section I.</i> General | 15-17 | 20 |
| <i>II.</i> Reconnaissance | 18-28 | 22 |
| <i>III.</i> Security | 29-34 | 37 |
| <i>IV.</i> Combat | 35-45 | 45 |
| <i>V.</i> Action at river lines | 46-47 | 59 |
| CHAPTER 3. LOGISTICS. | | |
| <i>Section I.</i> Supply | 48-51 | 64 |
| <i>II.</i> Vehicular maintenance and evacuation | 52-54 | 70 |
| <i>III.</i> Medical service for the squadron | 55-56 | 72 |
| <i>IV.</i> Miscellaneous | 57-58 | 75 |
| INDEX | | |

CHAPTER 1

GENERAL

SECTION I. PURPOSE AND SCOPE

1. PURPOSE. The purpose of this manual is to provide a text for the tactical training of cavalry reconnaissance squadrons, mechanized, and to present basic doctrine for their employment.

2. SCOPE. a. This manual covers the organization, training, and employment of the cavalry reconnaissance squadron, mechanized, of the cavalry division, horse, the cavalry group, mechanized, the armored division, and of separate squadrons.

b. Reference is made to other War Department publications where appropriate. Complete lists are contained in FM 21-6 and 21-7.

SECTION II. ORGANIZATION AND EQUIPMENT

3. ORGANIZATION. a. For details of organization and equipment of the cavalry reconnaissance squadron, mechanized, see Tables of Organization and Equipment 2-25, 2-26, 2-27, 2-28, and 17-17.

b. The reconnaissance squadron is a self-contained unit.

For definition of military terms used in this manual, see TM 20-205.

It is composed of a headquarters, headquarters and service troop, three reconnaissance troops, an assault gun troop, a light tank company, and a medical detachment. The reconnaissance squadron, armored division, has an additional reconnaissance troop and an additional platoon in the assault gun troop.

c. The headquarters contains personnel, transportation, and equipment for command, staff, communication, and administration (see par. 8). Headquarters and service troop performs housekeeping duties for the headquarters, and maintenance and supply duties for the squadron.

d. The mechanized reconnaissance troop is discussed in FM 2-20.

e. The assault gun troop is composed of a headquarters and three two-gun platoons. The assault gun troop in the reconnaissance squadron, armored division, has an additional platoon. The headquarters is designed for administration and training. Platoons are attached to reconnaissance troops or to tank companies on reconnaissance missions.

f. The light tank company is the support element of the squadron. The company provides combat power to overcome minor opposition. (FM 17-30 and 17-32.) It can be employed most effectively in combat as a unit, supported by the fire of assault guns to neutralize antitank weapons.

g. Charts showing suggested organization of the reconnaissance squadron and its components into functional groups are contained in the appendices of FM 2-7. Manning of the various vehicles according to appropriate T/O & E is included. These charts are intended as guides and may be modified by squadron commanders to meet particular conditions.

4. EQUIPMENT. a. Tactical vehicles. Elements of the mechanized reconnaissance squadron are mounted in various types of wheeled and track vehicles, the characteristics of which must be appreciated in order to employ the unit effectively. Each tactical vehicle carries a ground mount for each type of machine gun mounted in or on the vehicle. For characteristics of $\frac{1}{4}$ -ton trucks and the light armored car M8, see FM 2-20.

(1) *Assault gun.* The assault gun is the 75-mm howitzer, motor carriage, M8. The weapon is effective in neutralizing automatic weapons and antitank guns when high explosive or smoke shell is used. High explosive antitank shell is effective against armor. A caliber .50 machine gun on a ring mount is provided for antiaircraft protection.

(2) *Light tank. (a).* The light tank is the principal offensive weapon of the squadron. The role of the tank is destructive of personnel. Armor provides protection against small-arms fire. The light tank has good road speed and excellent mobility across country.

(b) The antitank gun mounted in the tank is both an antitank and an antipersonnel weapon. The machine guns are antipersonnel and antiaircraft weapons.

(3) *To disable vehicles.* For details of methods to be employed in the destruction of vehicles, see the Technical Manual and crew drill Field Manual for the vehicle concerned.

b. Weapons. The types and number of weapons issued to personnel of the mechanized reconnaissance squadron are indicated in T/O & E 2-25; details of vehicular armament are included in current Technical Manuals.

SECTION III. TRAINING

5. OBJECTIVES. a. The objective of individual training is to develop excellent physical condition, discipline, and high morale; an aggressive spirit; and high standards of proficiency in employment of weapons and matériel.

b. The objective of unit training is to achieve a smoothly functioning organization, with high morale, capable of executing its primary mission of reconnaissance.

c. In order to assure continuity in action by the squadron, which normally operates under conditions which limit the possibility of rapid replacement of casualties, it is necessary that each man be qualified to drive the vehicle in which he rides (TM 21-300), man the weapons in the vehicle (FM 23-series), and operate the FM radios when provided therein (TM 11-454). Personnel must be trained thoroughly in dismounted scouting and patrolling in combat, reduction of obstacles, and individual and unit protective measures (FM 21-75).

d. It is essential that personnel in all grades fully appreciate the necessity for and importance of combat intelligence. The individual must be given a clear, workable understanding of military intelligence, and how he may contribute to intelligence operations. In addition to being trained to report information specified in orders or in standing operating procedure the soldier is trained to observe and report any information which may be of value in the operation being conducted. Each commander should receive intelligence training, compatible with his responsibility, to enable him to determine the importance of information received, and to

report factual information promptly to the appropriate agency.

6. SCOPE. **a.** Suggestions for training are found in War Department Mobilization Training Programs 2-1 and 2-2. Since the primary mission of the squadron is reconnaissance, training in subjects with specific application to the conduct of reconnaissance should be emphasized. (See FM 2-20.)

b. The training of the squadron involves first, thorough instruction of the individual soldier in his basic duties to include skill in driving and the use of individual and crew-served weapons; next, integration of the individual into his particular team, including the attainment of a minimum standard of proficiency in the duties of other members of the vehicle or gun crew; third, collective small unit training; and, finally, exercises employing the various tactical groupings into which the squadron can be divided.

c. Upon completion of the initial training phase, individuals and units must continue to practice their various duties to maintain the required degree of proficiency. Individuals and elements must be able to operate and maintain themselves for extended periods in mounted or dismounted operations across country. Physical training must receive the constant attention of all commanders.

7. METHODS. Training is conducted according to the principles set forth in FM 21-5 and TM 21-250. Maximum use is made of the publications listed and the suggestions contained in FM 21-6 and 21-7.

SECTION IV. DUTIES OF SQUADRON HEAD- QUARTERS PERSONNEL

8. SQUADRON HEADQUARTERS. Squadron headquarters contains the commissioned and warrant officer personnel necessary to perform command and staff duties in combat.

a. Squadron commander. The squadron commander is responsible to the commander of the next higher echelon to which the squadron is assigned or attached, for the training, administration, and operations of his command. He supervises all phases of training. During operations, he visits his units and gains first-hand information. He develops initiative and self-confidence in his subordinates by delegating appropriate command responsibility. A squadron commander is provided with a staff to assist him and relieve him of details so that he may concentrate on major decisions and personal contact with his combat elements.

b. Executive officer. The squadron executive is second in command and principal assistant to the squadron commander. He coordinates and supervises all staff activities, keeps informed of the situation, verifies the execution of orders, and may make decisions and issue orders in the absence of the squadron commander. Normally, he remains at the command post when the commander is away.

c. Adjutant (FM 101-5). The squadron S-1 supervises—

- (1) The receiving and delivering of replacements to troops in coordination with S-3.
- (2) Preparation of all strength and casualty reports.
- (3) Recreation and morale activities.

(4) Leaves of absence, furloughs, discipline, boards, decorations, citations, honors, awards, and punishments.

(5) The collection and disposition of prisoners of war in coordination with S-2, S-3, and S-4.

(6) Grave registration service, including burials, in coordination with S-4.

(7) Sanitation, coordinated with S-4 and assisted by the squadron surgeon.

(8) Preparation of unit journal.

(9) Arranging for quartering parties. Alloting space for subordinate units in bivouac.

d. Intelligence officer (FM 101-5). The squadron S-2 is concerned primarily with the collection, recording, evaluation, and dissemination of information of the enemy. His duties include—

(1) Training of intelligence personnel and such supervision of intelligence and counterintelligence instruction within the squadron as is directed by the squadron commander.

(2) Preparation and issuance of intelligence instructions and reconnaissance instructions. (See FM 101-5.)

(3) Posting of S-2 data on unit situation map.

(4) Maintenance of liaison and exchange of intelligence with higher, adjacent, and subordinate units.

(5) Procurement and distribution of maps, aerial photographs, and photomaps.

(6) Establishing and operating battalion observation posts.

(7) Examination of captured personnel, documents, and matériel for information of immediate importance to the squadron.

(8) Verifying camouflage and concealment measures.

e. Operations officer (FM 101-5). The squadron S-3 is concerned with the training and tactical operations of the squadron. His duties include—

(1) Preparation of detailed plans.

(2) Maintenance of the situation map and preparation of operations maps.

(3) Planning of security measures to include camouflage and concealment. (Coordination with S-2.)

(4) Preparation of data for tactical and training reports.

(5) Planning and supervising all training.

f. Supply officer. The squadron S-4 performs duties to include—

(1) Preparation of supply plans based upon tactical plans, coordinated with S-2 and S-3.

(2) Supervision of the procurement, storage, and issue of all classes of supply.

(3) Control of squadron trains when troop supply vehicles are operating under squadron control.

(4) Supervision of the evacuation of casualties, disabled equipment, prisoners, and captured matériel.

(5) Supervision of maintenance of equipment assisted by the squadron motor officer and communication officer and coordinated with S-2 and S-3 for priorities.

(6) Security for the rear echelon, coordinated with S-3.

g. Motor officer. The squadron motor officer supervises operations of the squadron maintenance platoon with the assistance of the motor transport warrant officer. The specific duties of the motor officer are prescribed by the squadron commander. Details of his duties in connection with maintenance are contained in FM 25-10 and TM

9-2810. He is responsible for the preparation and maintenance of records and reports pertaining to supplies, repairs, and operations of vehicles.

h. Communication officer (FM 101-5). The squadron communication officer is advisor to the commander and staff on all communication matters. His duties include—

(1) Preparation of communications paragraph for the field order.

(2) Supervision of installation, maintenance, and operation of the communication system, including the squadron message center.

(3) Supervision of maintenance of communication equipment.

(4) Inspection of signal equipment within limits prescribed by the squadron commander.

(5) Preparation, under supervision of S-3, of the squadron signal operations instructions. Coordinates with higher headquarters.

(6) Technical supervision, within limits prescribed by the commander, of signal operations of the squadron, including coordination of the employment and of the training of signal agencies of subordinate units.

(7) Accounting for and distribution of codes and ciphers.

i. Liaison officer. Liaison between the squadron headquarters and that of the higher unit to which the squadron is attached or assigned is effected by the liaison officer. He assists with the transmission of information and informs the squadron commander of changes in plans of operations of the higher unit. The liaison officer should be informed of the situation and of the projected employment of the squadron. For detailed duties, see FM 100-5 and 101-5.

SECTION V. COMMUNICATION

9. GENERAL. a. Mission. The primary mission of signal communication in the cavalry reconnaissance squadron, mechanized, is to provide rapid, secure, and uninterrupted communication from reconnaissance elements to higher headquarters. Communication personnel operates and maintains signal communication within the unit, with attached units, and with adjacent units when required.

b. Responsibility for signal communication. The squadron commander is responsible for signal communication within the squadron and with higher headquarters. The squadron communication officer supervises the technical training of communication personnel and the operation and maintenance of signal communication equipment.

c. Means of signal communication. Signal communication within the squadron is effected by radio, messengers, and visual means; communication between the reconnaissance squadron and other headquarters is accomplished by radio or other appropriate means. (See par. 10.)

d. Coordination of signal communication. (1) Effective signal communication requires coordination in all echelons. Paragraph 5 of the field order of the unit to which the squadron is attached or assigned prescribes a coordinated plan and designates current signal operation instructions (SOI) and other pertinent references. SOI contain radio call signs, operating frequencies, code references, cipher keys, authenticator systems, schedules for radio and messenger service, pyrotechnic and panel codes, and other pertinent technical information.

(2) Coordination within the squadron is obtained by

using standing operating procedure (SOP). (See par. 13.) This may consist of brevity codes, special sound and visual signaling instructions, a maintenance system, personnel assignments and reliefs, and solutions to other problems.

e. Signal communication personnel. Effective signal communication requires highly trained personnel. Carelessness, inaccuracy, or failure to maintain equipment may result in disaster. Careful selection of individuals for training as signal communication specialists is most important.

f. Signal communication training. All members of the squadron should receive basic signal communication training. (See TM 11-450.) FM 2-20 outlines in detail training of communication specialists.

g. Signal communication security. Carelessness or ignorance of necessary precautions in employment of signal communication means may disclose vital information to the enemy or compromise the security of the squadron. All personnel is trained to preserve signal communication security. Commanders monitor the nets of subordinate units to detect violations of security regulations.

10. UTILIZATION OF ASSIGNED MEANS OF SIGNAL COMMUNICATION.

a. Radio. Radio is the principal means of signal communication in the reconnaissance squadron. The proper utilization of radio equipment is a major responsibility of the squadron commander. He should know the capabilities and limitations of each type of equipment, including the transmission characteristics of C-W, tone, and voice. The use of short, prearranged signals reduces the volume of radio traffic and expedites the transmission of information.

b. Messengers. Radio must be supplemented at times by vehicular and dismounted messengers, when necessary to deliver maps, overlays, sketches, detailed orders, or lengthy reports. Messengers are faster than radio communication under some conditions.

(1) Dismounted messengers are used when distances are short, and when movement in vehicles is impracticable.

(2) Motor messengers use organic, captured, or impressed vehicles. Command and communication vehicles are not used for transporting messengers except in emergency.

(3) Officers may carry important messages, particularly when explanation of the situation is required.

c. Arm and hand signals. See FM 2-7 and 22-5.

d. Pyrotechnics. Pyrotechnics provide advantages in that transmission of the message is prompt, and the equipment is comparatively light and compact. Their use is disadvantageous in that messages of fixed meaning only can be transmitted, signals may be misunderstood and have little security unless codes are changed frequently, and the range of observation is limited, especially in the daytime. Pyrotechnic codes are published in signal operation instructions. Special signals must not conflict with prescribed codes.

e. Smoke. Colored smoke is used to identify friendly troops in daylight. It may be used also to transmit short messages in accordance with a prearranged code.

f. Flags. Flags are used to identify vehicles, to send messages in semaphore or wigwag code, or to transmit prearranged messages.

g. Panels. Fluorescent panels are used to identify friendly troops to supporting air forces. Signal panels are

used to identify ground units to air forces and to transmit brief messages in the current panel code.

h. Sound signals. See FM 2-7 for whistle and bugle signals; they are used for close-in communication by small units.

11. WIRE COMMUNICATION. Wire is not an organic means of signal communication. It is desirable that signal communication specialists have sufficient knowledge of the use of wire communication to use and repair field wire circuits, to read military line route maps and circuit diagrams, and to use or interrupt commercial wire circuits. This instruction should be initiated after specialists have become proficient in the use of organic equipment.

12. COMMUNICATION EQUIPMENT MAINTENANCE.

α. General. Signal communication personnel must be skilled in maintenance to insure proper functioning of radio equipment. The system, which includes preventive maintenance, must be established, tested, and applied habitually within the squadron. Careful training and diligent supervision are necessary.

b. Responsibility. The Signal Corps performs maintenance which the operator and unit mechanic are not equipped to perform.

c. Testing radio equipment. Tests which can be applied by unit mechanics are:

(1) *Visual checking.* Sets are examined for broken elements or burnt insulation.

(2) *Point-to-point measurements.* Voltages and resistance are measured by meters at specified points within circuits and compared with correct readings.

d. Repairs. A list of repairs which may be performed by operators and mechanics should be provided within each troop by the communication officer. The repairs which unit personnel may perform are determined by the skill of operators and mechanics, and the instruments, tools, and spare parts available.

13. SUGGESTIONS FOR SOP. a. Prescribe various radio net organizations. They must conform to channels allocated by higher headquarters. Type radio nets for the squadron and its principal elements are shown in figures 1 to 4, inclusive.

b. Indicate when messenger communication will be used.

c. Designate elements charged with operating visual communication.

d. Prescribe relief operators for radio stations which may be required to operate continuously.

e. Prescribe short codes to reduce radio transmissions. These should be coordinated with higher headquarters.

f. Prescribe the sequence in which radio frequencies are to be used in avoiding enemy interference. Each armored car contains two radio sets, one of which is designed so that two of twenty channels may be listened to continuously. Transmissions are available instantly on any one of ten channels. The other set can listen to only one channel at a time, but can transmit instantly on any one of five preset channels. The versatility of this equipment permits great variation of the sequence in which channels can be used. The plan should be coordinated with higher headquarters.

g. List permissible repairs to various types of equipment

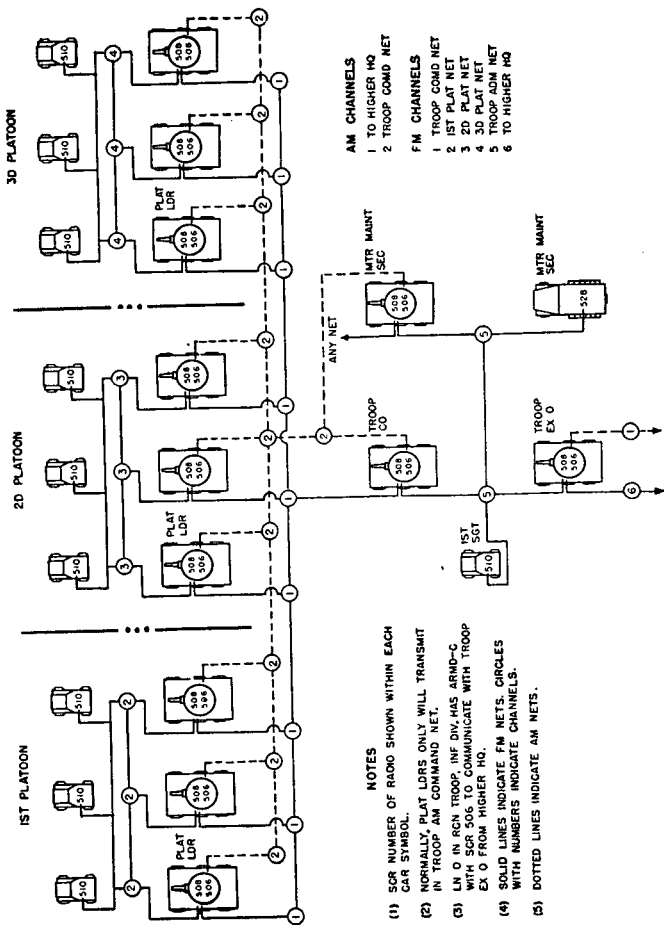
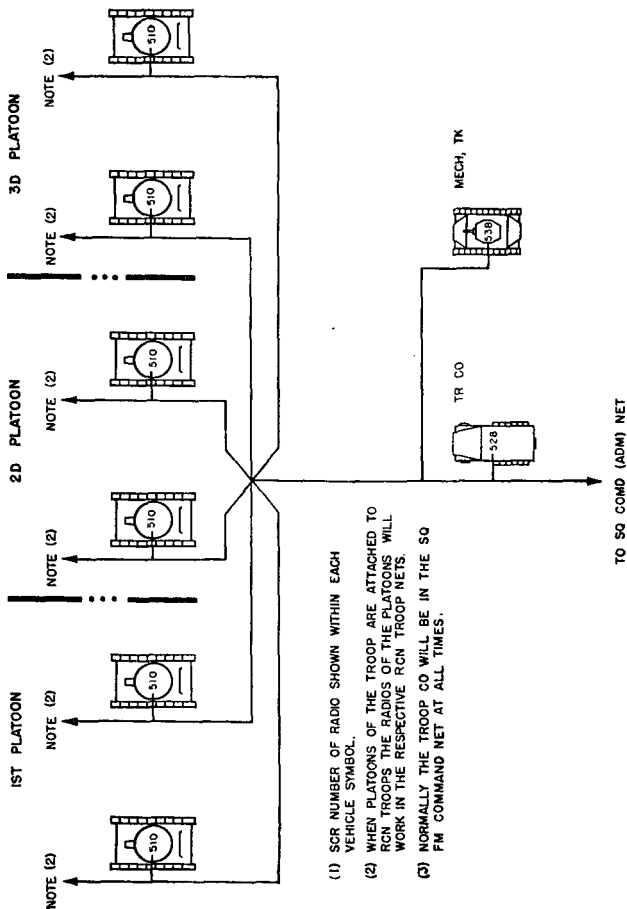


Figure 2. Radio nets, cavalry reconnaissance troop, mechanized.



- (1) SCR NUMBER OF RADIO SHOWN WITHIN EACH VEHICLE SYMBOL.
- (2) WHEN PLATOONS OF THE TROOP ARE ATTACHED TO RCN TROOPS THE RADIOS OF THE PLATOONS WILL WORK IN THE RESPECTIVE RCN TROOP NETS.
- (3) NORMALLY THE TROOP CO WILL BE IN THE SQ FM COMMAND NET AT ALL TIMES.

Figure 3. Radio nets, cavalry assault gun troop, mechanized.

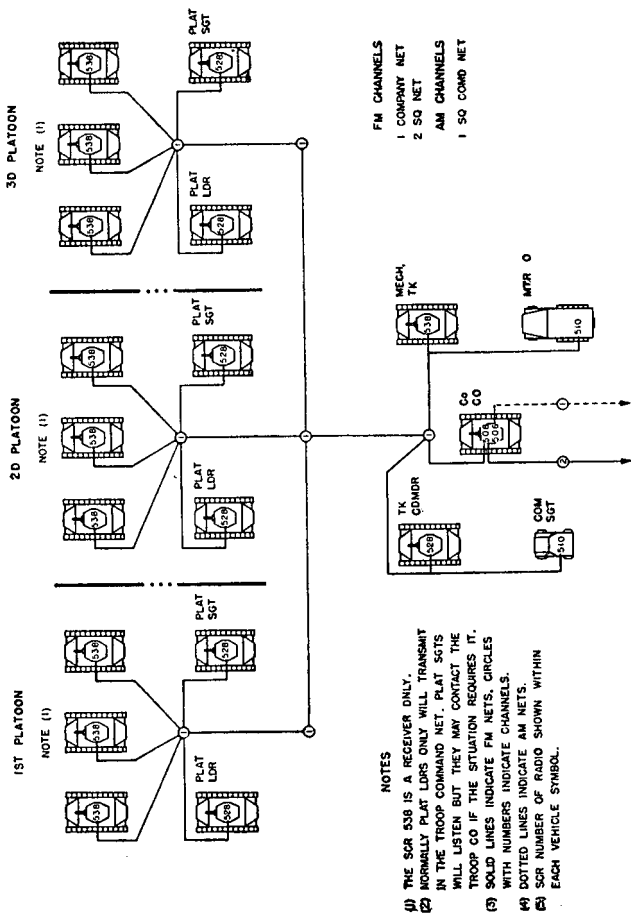


Figure 4. Radio nets, light tank company.

and prescribe method of carrying spare parts and spare operating equipment.

14. MISCELLANEOUS. α. Air-ground communication.

The principal means of air-ground communication is the very high frequency radio-telephone used by air parties attached to ground units for that purpose. Signaling panels, pyrotechnics, lights, smoke, prearranged signals, and drop and pick-up messages are supplementary means of air-ground communication. Only slow speed airplanes are used to pick up messages.

b. Enemy interception. At least one car in each troop not being employed on reconnaissance should have a radio tuned in on an enemy net. Personnel in the troop who can speak the language of the enemy should man the intercept station. If qualified personnel is not available within the troop for this job, request for interpreters is made to higher headquarters.

c. Enemy interference. Enemy interference with radio communication is discussed in FM 24-18 and TM 11-454.

d. Destruction of equipment. Methods of destroying signal equipment are prescribed in FM 24-18 and in Technical Manuals for the various types of radio sets.

CHAPTER 2

EMPLOYMENT

SECTION I. GENERAL

15. MISSION. The cavalry reconnaissance squadron, mechanized, is organized, equipped, and trained to perform reconnaissance missions. Other type missions are given only in furtherance of a reconnaissance mission unless no other troops are available for other type operations for the division or other larger unit. Reconnaissance missions are performed by employment of infiltration tactics, fire, and maneuver.

16. PRINCIPLES GOVERNING EMPLOYMENT. α.

The mechanized reconnaissance squadron employs infiltration tactics, fire, and maneuver to accomplish reconnaissance missions. Its elements seek unopposed routes of advance to gain observation points. It engages in combat only to the extent necessary to accomplish the assigned mission and to avoid destruction or capture. The squadron should be reinforced before departing on a mission when sustained combat or the crossing of obstacles is anticipated. Infantry, field artillery, tanks, tank destroyers, and engineers are suitable attachments.

b. The reconnaissance squadron performs distant, close, and battle reconnaissance within zones or areas or along designated routes. The zone assigned will vary with the routes available to the enemy, the effect of terrain and weather, feasibility of movement, information desired by the higher commander, and the facility with which reserves can be moved within the zone.

c. Operations of the mechanized reconnaissance squadron and aviation are complementary. Reconnaissance avia-

tion furnishes higher commanders with information of large enemy concentrations and movements. The employment of the reconnaissance squadron is based on this information and information obtained from other sources. On occasions when air is attached to the higher echelon, an air party may be attached to a reconnaissance squadron. Through this channel, the air reconnaissance may report pertinent information directly to the squadron. The information derived from this source may be expected to be of a very general nature.

d. The operations of reconnaissance squadrons with a corps are coordinated with those of the reconnaissance elements of divisions, tank destroyer, and other attached units. Similarly, the operations of reconnaissance squadrons of cavalry or armored divisions are coordinated with those of the reconnaissance elements of organic units and of attached nondivisional forces.

e. Orders to the reconnaissance squadron must give definite missions and state specifically what information is desired and when it must be reported. The squadron commander must know the plans of the higher commander sufficiently and in time to insure the effective employment of the squadron. Within the squadron and its subordinate elements, all personnel should be familiar with and understand their specific missions and that of the squadron. This is essential to insure continuity of action when the situation necessitates that a small unit or the crew of an individual vehicle operate entirely on its own.

17. FUNCTIONS OF COMMANDERS. α. The commander of a mechanized cavalry reconnaissance squadron, not part of a group, performs staff as well as command functions. He advises the commander of the organization

to which his squadron is assigned or attached on reconnaissance matters. He should be consulted when reconnaissance plans are being formulated or changed. He should recommend missions for his squadron and methods of coordinating the efforts of all reconnaissance agencies.

b. The headquarters of the squadron should be located near the CP of the higher unit whenever the squadron is not engaged actively on a mission.

c. The reconnaissance squadron commander accompanies forward elements to verify and evaluate information promptly. Intimate knowledge of the situation is essential to coordinate the action of subordinate units and to prepare plans for future employment.

SECTION II. RECONNAISSANCE

18. GENERAL. a. The squadron is employed to gain timely information upon which the higher commander may base decisions and plans. Cavalry reconnaissance squadrons are organic in cavalry and armored divisions. Squadrons may perform reconnaissance for other large units or may form part of cavalry groups, mechanized. Reconnaissance troops of the squadron, armored division, with assault gun platoons attached, may be attached to combat commands.

b. The methods of employment outlined in FM 2-20, for the reconnaissance troop, are applicable to the individual reconnaissance troops of the squadron.

c. Contact is gained with large enemy forces at the earliest practicable moment and maintained thereafter. Reconnaissance elements seek to identify hostile units and to

determine their composition, dispositions, and flanks without becoming involved in combat. Terrain features and conditions which may affect operations are reported in addition to information of the enemy.

d. When combat is necessary to accomplish a reconnaissance mission, units support each other, employing fire and maneuver to advance, but should avoid becoming involved so seriously that they are unable to disengage. One unit may contact and pin down the enemy while another continues on the mission. When opposing forces close, the squadron may be employed on reconnaissance missions toward an exposed flank, used to maintain liaison with adjacent units, or placed in reserve.

e. Prompt action must be taken to reduce defended obstacles which threaten the success of a reconnaissance mission. Reinforcements are requested promptly when reconnaissance discloses that the enemy position is too strongly defended for the squadron to reduce.

f. Prior to an operation when the use of tanks is contemplated, tank reconnaissance is conducted to determine the location, capacity, concealment, and suitability of positions; the routes to selected positions; and the terrain over which tanks may operate.

19. DEPTH, RATE OF ADVANCE, AND FRONTAGE.

a. In an advance, the time interval by which the reconnaissance squadron precedes the unit to which it is assigned or attached must be determined in each instance. Visibility, terrain, anticipated enemy contact, nature of information sought, and other factors that affect the rate of advance are considered.

b. The reconnaissance squadron can march from 100 to 150 miles daily on good roads, at the rate of 25 miles per hour when unopposed. When engaged in active reconnaissance, elements can advance at a rate of 10 miles per hour on open terrain and under favorable conditions. When contact with hostile security elements is gained, the rate of advance will decrease, sometimes to that of dismounted scouts.

c. The squadron can reconnoiter a zone 25 miles wide, with two reconnaissance troops actively engaged, and with one reconnaissance troop and the light tank company in reserve initially. The squadron in the armored division, employing three reconnaissance troops in the zone, can cover a proportionately wider front.

d. When a division operates as part of a corps, it may be given responsibility for reconnaissance in rear of or to the flanks of the corps reconnaissance unit. Transfer of responsibility for reconnaissance from corps to division agencies is accomplished by the higher commander by establishment of zones or successive lines of responsibility for the agencies concerned. The corps reconnaissance unit establishes liaison with the division reconnaissance agencies.

20. ROUTES, ZONES, AND AREAS. The higher commander, and the squadron commander in turn, prescribes specific axes or routes, and boundaries of zones and areas to their respective reconnaissance elements. Thus, responsibility is allocated definitely and duplication of effort is prevented. Such definition of boundaries is not intended to restrict the initiative of subordinate commanders. Maximum freedom of movement warranted by the particular situation is allowed.

a. When the enemy is disposed on a broad front or when his location is in doubt, a zone of reconnaissance is assigned. Factors to be considered in determining the width of the zone to be assigned are the condition and pattern of the road net, present and predicted road conditions, fatigue of personnel, condition of vehicles, terrain features within the zone, and anticipated enemy action. Zone boundaries should be easily recognized features, such as roads, railroads, rivers, or ridge lines.

b. When information indicates the enemy's movement is by a definite route (or routes), or when terrain features canalize his advance, a route (or routes) or an axis is designated.

c. When accurate information, such as that obtained by espionage or the action of other reconnaissance agencies, has disclosed the presence of the enemy in a definite area, that area or locality is assigned for reconnaissance.

21. STRENGTH OF DETACHMENTS. **a.** The size and composition of a reconnaissance detachment is dictated by the factors of the particular situation: the mission, terrain, visibility, information of the enemy, including his capabilities, the condition of all personnel and equipment, and the cooperation of friendly ground and air units. Sufficient strength always is sent to be assured of accomplishing the assigned mission. The squadron operates usually with one reconnaissance troop in reserve. Exceptionally, it may be necessary to employ all reconnaissance troops simultaneously. Figure 5 shows various squadron dispositions on reconnaissance.

b. The light tank company may be in reserve initially and may be dispatched later to support reconnaissance troops.

The company may be attached as a unit or by platoons to reconnaissance elements when the squadron front is so broad or the terrain so difficult that reserves cannot be moved readily to all parts of the squadron zone. Attachment may be made also when hostile resistance can be foreseen.

c. Assault gun platoons habitually are attached to reconnaissance troops or to tank companies on reconnaissance missions. Exceptionally, the assault gun troop may be assembled and employed as a unit under squadron control.

d. Tanks may be employed on reconnaissance when the volume of enemy fire necessitates greater armor protection for reconnaissance teams and when terrain is too difficult for operation of wheeled vehicles. Light tanks supported by assault guns are effective on reconnaissance in causing the enemy to disclose the location of antitank weapons.

e. Situations often will require that reconnaissance detachments be strengthened by attachment of troops of other units. Squadron commanders should not hesitate to request from higher commanders such attachments as the particular situation necessitates.

22. CONTROL. α. An axis or zone may be prescribed to control direction of advance of reconnaissance detachments. Phase lines and objectives may be designated to control rate of advance, or the distance to be covered in a period of time may be prescribed. Phase lines are considered to have been reached upon the arrival thereat of leading elements and to be cleared when elements have passed. Phase lines should be roads, railroads, towns, or prominent terrain features. The squadron commander prescribes action to be taken upon reaching phase lines. He may order detachments to—

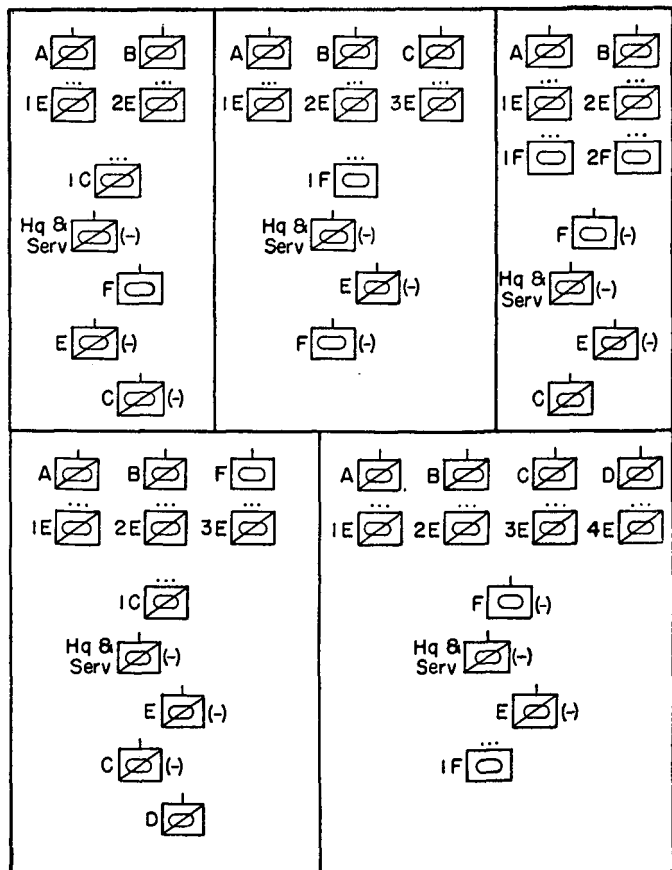


Figure 5. Squadron dispositions on reconnaissance.

- (1) Report and move on.
- (2) Halt until ordered forward.
- (3) Clear at a specified time.

b. Radio provides the principal means of controlling and directing reconnaissance detachments. Vehicular or dismounted messengers may be used to transmit messages, maps, sketches, or overlays. Radio silence may necessitate the use of messengers for all communication, increasing the time necessary for delivery of messages. The rate of advance in such cases may be reduced materially.

c. Lateral communication between reconnaissance detachments is maintained by radio or messenger. Lateral contact is established where practicable on phase lines and at designated objectives.

d. Assembly points are designated so that elements can reorganize if dispersed. A new assembly point is announced at each halt. The position selected should permit dispersion of vehicles and should afford concealment and defilade.

23. LIAISON. a. The use of liaison officers is habitual. The reconnaissance squadron headquarters has one liaison officer who remains at higher echelon headquarters except when recalled to his unit for conference. This officer must know the plans of the squadron commander and keep him informed of changes in higher echelon plans. His duties are prescribed in FM 101-5.

b. Combat commands or other subordinate elements of the higher echelon may send a liaison officer to the CP of the reconnaissance squadron. This officer must know the plans of his commander. He keeps his commander informed on the situation as found by the reconnaissance

squadron. He should be provided with a radio set and with messengers for communication.

c. Reconnaissance elements of units following the squadron maintain liaison personnel at the CP of the reconnaissance squadron when the squadron is not part of a group. As the elements of the main force close on the reconnaissance squadron, their liaison parties make contact with the squadron reconnaissance detachments operating in their zones of advance. All available information is exchanged.

d. Higher echelon artillery liaison officers may join the reconnaissance squadron and remain with it until the main force closes on the reconnaissance squadron. By this means, the artillery gains early information of positions, terrain, and targets. The liaison officer also is able to give necessary information to any supporting artillery that may be detailed to assist the reconnaissance squadron.

e. Engineer reconnaissance elements may accompany the reconnaissance squadron to perform engineer reconnaissance.

24. ORDERS AND RECONNAISSANCE INSTRUCTIONS.

a. The reconnaissance mission is assigned to the squadron as a unit. Instructions may be issued to the squadron commander in an intelligence annex or in a simplification of that form (FM 101-5). Priorities are given when more than one mission is assigned. The squadron commander allots tasks and coordinates operations.

b. Missions must be specific; if they are not, commanders request clarification. Instructions to all echelons must be complete and must include exactly what information is to be secured, where the information is to be sought, and when the mission is to be executed. Essential details include—

- (1) Pertinent information of the enemy and friendly troops.
- (2) Plans of operation of the higher commander.
- (3) Specific information desired.
- (4) Zone, area, route, or axis.
- (5) When, where, and how information is to be reported to the higher commander.
- (6) Time of departure.
- (7) Phase lines, when desirable, and objectives, and the times they are to be reached.
- (8) Expected duration of mission.
- (9) Action when mission is completed.

c. Instructions of the squadron commander usually are issued orally or in the form of an operations map. Whenever possible, troop officers are assembled for initial orders to insure that measures for mutual support and cooperation are understood. Objectives and routes are indicated graphically by the squadron commander on the best map or map substitute available, and are copied by troop and platoon leaders. After active reconnaissance has started, orders are disseminated by radio, messenger, or by the squadron commander or his staff in person.

25 TRANSMISSION OF INFORMATION. α. Transmission of information is facilitated by standing operating procedure. This procedure establishes priorities which apply in the absence of specific instructions. The use of standing operating procedure simplifies orders and facilitates transmission of essential information. Items of information which should be assigned priorities are set forth in FM 2-20. Information of first contact with the enemy or terrain information which is vital to the higher commander's

plan of action is transmitted at once. This information also is transmitted to adjacent units and units directly in rear of the reconnaissance unit.

b. Reconnaissance teams and platoons on reconnaissance report factual information to their respective troop headquarters; reports are relayed by radio or messenger to squadron headquarters. The squadron commander may enter a troop radio net to intercept messages or secure more detailed information.

c. Information received at squadron headquarters is evaluated only when it pertains to the situation of the squadron. Complete, verified information is passed to higher headquarters without interpretation by the squadron. Information which may appear of little value may be of great value to the higher echelon when evaluated in conjunction with information received from other sources.

26. EXECUTION OF DISTANT RECONNAISSANCE.

α. Distant reconnaissance is the term used to denote the gathering of information about objectives outside the immediate striking range of a force, but about which detailed information is essential for planning. In the case of the reconnaissance squadron, this distance may vary from 50 to 100 or more miles from the main force.

b. Before contact is made with the enemy in force, the action of the squadron is rapid. Close or detailed examination of terrain is subordinated to gaining contact with hostile main forces at the earliest practicable moment. Hostile patrols operating in the squadron's zone of advance are avoided if possible and their presence and location reported. If such units cannot be evaded, they are attacked and are destroyed or brushed aside.

c. As the squadron approaches contact with the main force, its advance will be slowed by the enemy's efforts to deny observation. The strength, disposition, composition, and aggressiveness of these counterreconnaissance elements are clues to the capabilities and intentions of the enemy and should be reported. The reconnaissance activity becomes more intensive as the squadron commander seeks to define the enemy's contour and secure identifications. Enemy flanks must be sought; bold action by patrols frequently will produce the best results.

27. EXECUTION OF CLOSE AND BATTLE RECONNAISSANCE. α. The action of the squadron becomes progressively more aggressive and intensive when the higher echelon closes to within supporting distance. It is in this phase that the higher commander must secure the items of information which he needs to complete a picture of the enemy on the given terrain and perfect his final plan of action. Such items include disposition and flanks, artillery positions, centers of signal communication, command posts, tank concentrations, and axes of movement or supply routes. It is to be expected that hostile resistance will stiffen as the situation develops.

(1) As resistance increases, the light tank company is employed to assist the advance of reconnaissance detachments, to act as a spearhead to penetrate the enemy screen and permit passage of a reserve reconnaissance troop, or to be attached by platoons to reinforce separate reconnaissance detachments. (See fig. 6.) It may be necessary to assign a reconnaissance mission to the tank company reinforced with reconnaissance elements and assault guns.

(2) As the situation dictates, the light tank company, alone or reinforced, may be employed to contain hostile units

while the remaining troops of the squadron maneuver to continue close reconnaissance. (See fig. 7.)

b. Advanced elements of the main force make contact with elements of the reconnaissance squadron and gradually take over the close-in reconnaissance. The squadron may be ordered into reserve or it may be directed to execute reconnaissance to the enemy flanks and rear, seeking out supply installations and routes, location and movements of reserves, advance landing fields, and other important installations. (See fig. 8.) If ordered into reserve, the squadron commander or his executive should remain at the higher echelon command post where he can keep informed of developments and formulate plans for the future employment of the squadron.

28. RECONNAISSANCE AT NIGHT. Reconnaissance is slow and less effective at night. Motors are audible for considerable distances and observation is difficult, making vehicles highly susceptible to ambush. Reconnaissance across country, except under most favorable terrain and weather conditions, is slow and laborious. Night reconnaissance is limited ordinarily to dismounted patrolling, observation of routes, and the use of listening posts. Vehicles usually will be used only for movement of personnel to areas where dismounted patrols operate (TF 7-275) and return to rendezvous with their transportation. All night vehicular reconnaissance must be closely preceded by dismounted patrols. When the higher echelon contemplates movement at night, the squadron is sent out during daylight to a line beyond the expected bivouac location, where it establishes observation during the hours of darkness to warn of enemy movements that might interfere with the advance or bivouac of the higher echelon.

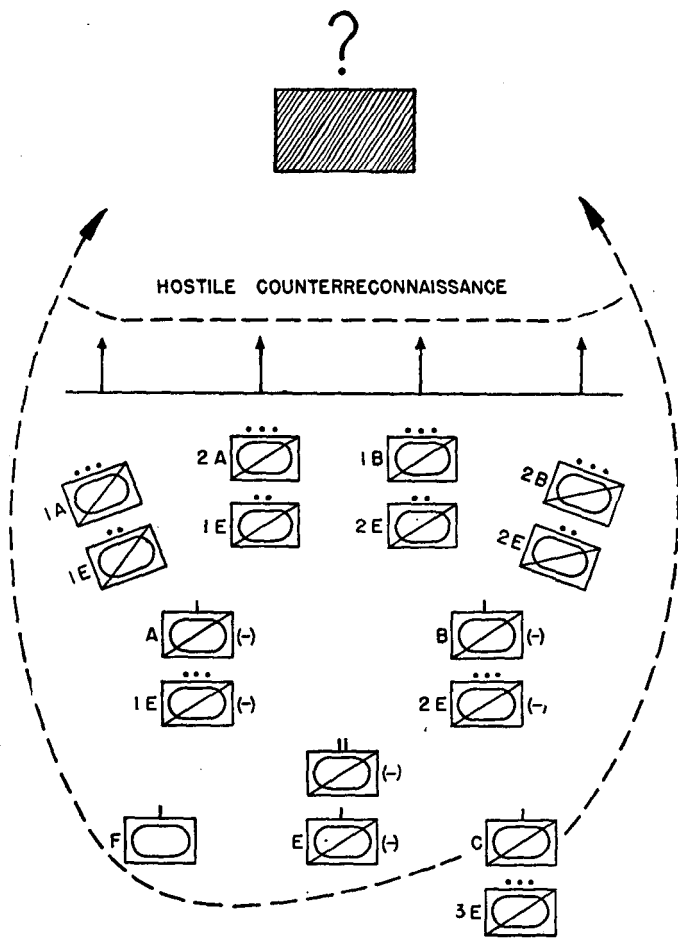


Figure 6. As opposition to reconnaissance increases, the enemy screen is felt out and penetrated at its weakest points. The light tank company may spearhead such penetration or be attached by platoons or as a unit to reconnaissance detachments.

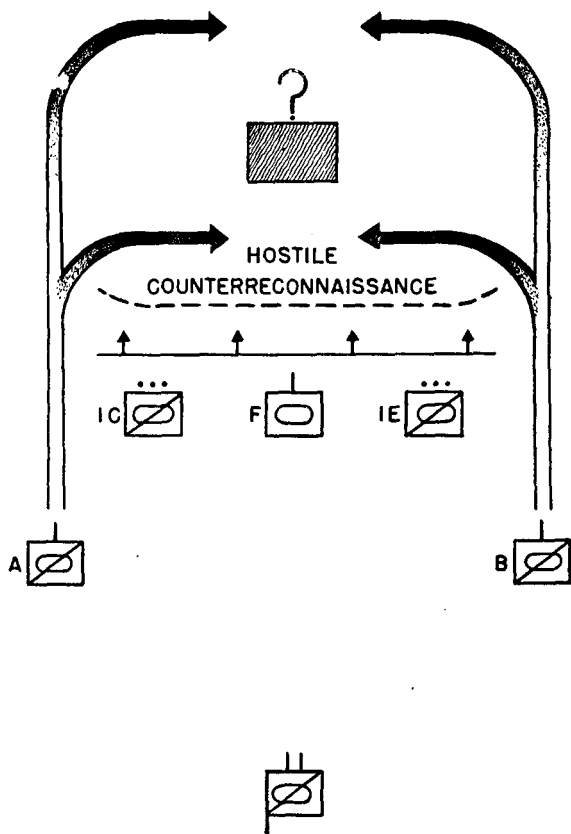


Figure 7. The situation permitting, hostile counterreconnaissance is contained with part of the force while the remainder maneuvers around its flanks.

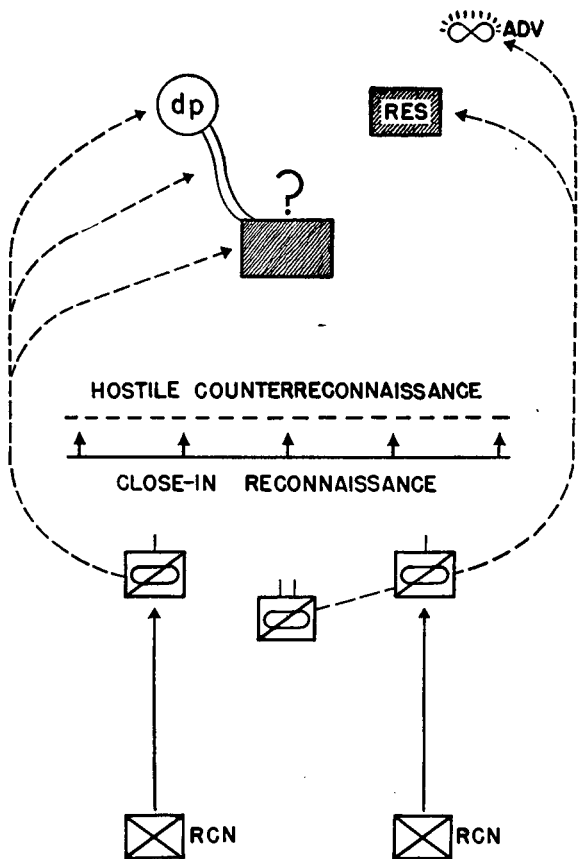


Figure 8. Battle reconnaissance seeks out the enemy flanks, supply installations and routes, location and movement of reserves, and advance landing fields.

SECTION III. SECURITY

29. GENERAL. a. The principles of security as prescribed in FM 100-5 are applicable to the cavalry reconnaissance squadron, mechanized. Security measures taken within individual reconnaissance troops and the light tank company are discussed in FM 2-20 and 17-32.

b. The squadron is responsible for its own local security and for contributing to the security of the unit to which it is assigned or attached. While on reconnaissance, it contributes to the security of the higher unit by reporting the location of enemy forces and by giving timely warning of ground and air attacks. Information and warnings are transmitted directly to units whose security is threatened and to higher headquarters. A squadron with a group may be designated as an advance, flank, or rear guard, or outpost.

c. The reconnaissance squadron furnishes timely information upon which to base the employment of tank destroyers. Direct communication between the squadron and tank destroyer units assigned or attached to the main force is essential so that tank destroyer commanders will have early information of tank concentrations and movement.

30. WHILE MOVING. a. March procedure. (1) The reconnaissance squadron, less detachments on reconnaissance missions, moves by bounds along the axis of advance. It may move in one or more serials. When movement is in two serials, the first is composed of the forward echelon of squadron headquarters, the reconnaissance elements held in reserve, the assault gun troop less detachments, and the light tank company. The rear echelon of squadron headquarters and the trains, less those elements with the reconnaissance

detachments and higher echelon trains, form the second serial. Serials may march together, or the rear serial may move by bounds some distance in rear of the leading serial.

(2) Security for the reserve is provided by detachments from the reserve reconnaissance elements. The light tank company should be well forward in the column, permitting early commitment to action without its having to double the column of the reserve reconnaissance troop.

(3) The squadron commander tentatively selects locations for the CP along the axis of advance prior to the movement. Such locations should afford security and concealment. Large woods close to the route of advance are satisfactory. Small isolated patches of woods are avoided as they draw attention of hostile aircraft. Crossroads also are avoided; they not only draw the attention of enemy aircraft, but also afford hostile routes of approach from the flanks. CP's must be well forward to facilitate communication with and control of reconnaissance detachments. The reserve must be held far enough to the rear to permit easy lateral movement. This is determined by map studies and by reports from reconnaissance elements.

b. Security detachments. When the squadron is executing a reconnaissance mission, the detachments operating at a distance from the main body provide a warning system against ground and air observation and attack. Protection of the main body from surprise attack is accomplished by the employment of an advance guard and, when the situation requires, flank and rear guards. When advancing across country, security is provided by a covering detachment.

(1) *Advance guards.* Reconnaissance patrols will be unable to search all the country ahead of the main body, par-

ticularly in woods. The enemy may remain concealed in woods, allow patrols to pass, and then attack the reserve. The enemy may place obstacles after the patrol has passed. To preclude surprise by the enemy, an advance guard precedes the main body. This advance guard usually consists of a reconnaissance platoon but may be as large as one-third the main body and may be reinforced with tanks and assault guns. From front to rear, the advance guard is divided into a point, an advance party, a support, and a reserve. The advance guard for the reconnaissance squadron will rarely have a reserve and a small advance guard consisting of a reconnaissance platoon will have no support. The point normally will consist of a reconnaissance team, while the advance party consists of the remainder of the platoon. The advance guard precedes the main body at a distance sufficient to allow the main body time to deploy but not so far as to expose the advance guard to defeat before the main body can support it (FM 100-5).

(2) *Rear guards.* The size and composition of a rear guard in a retrograde movement are similar to those of an advance guard in the advance. When advancing, it may be considerably weaker than the advance guard. In determining the size of a rear guard, consideration should be given to the enemy threat and to the fact that the rear guard can expect no support from the main body. It must be far enough to the rear to preclude being driven in on the main body, yet close enough to prevent hostile elements in force from interposing themselves between it and the main body.

(3) *Flank guards.* Flank guards for the squadron normally are composed of elements from a reconnaissance troop. Exceptions will occur when the route of the flank guard trav-

erses ground unsuited to wheeled vehicles or when there is a well-defined threat. Depending upon anticipated enemy action, assault guns and light tanks may be attached to flank guards.

(4) *Covering detachments.* The covering detachment employed by the squadron usually consists of a reconnaissance platoon. Covering detachments operate in extended formations with increased intervals, to protect the movement of the main body in movement across country.

c. Security against air attack. (1) The antiaircraft security of a column is obtained by—

(a) Effective concealment in the last bivouac.

(b) Rapid forming of march columns and prompt movement. Units must not form and remain on the road a long time before movement.

(c) Maintenance of appropriate distance between vehicles.

(d) Dispersion both laterally and in depth in movement across country.

(e) Concealment and dispersion during halts.

(f) Maintenance of light discipline during night marches.

(g) Halting of vehicles and maintenance of immobility in case flares are dropped by aircraft.

(h) Avoidance of defiles or, in case they are unavoidable, provision for increased antiaircraft fire protection and for movement through the defile at increased speed.

(i) Posting of air sentries both on the march and in bivouac.

(j) Prompt transmittal of air warnings.

(k) Use of all available effective weapons against low-flying aircraft that attack the column.

(2) Effective camouflage discipline in bivouac will pre-

vent discovery by hostile aircraft and possible attack while columns are forming. Units move direct from bivouac to march column without halting. If air attack is probable, distances between vehicles should not be less than 100 yards.

(3) When practicable, halts are made where concealment is available. Vehicles are moved off the road promptly, concealed, and tracks brushed out. If concealment is not available, vehicles must be widely dispersed.

(4) Air warnings are transmitted over command channels.

(5) All units take measures for immediate protection against low-flying aircraft by using their own weapons which are suitable for fire against aircraft. Carbines, submachine guns, and pistols are not considered effective weapons. Men must be constantly prepared for immediate action, but will fire only upon order of an officer or responsible noncommissioned officer. No aircraft will be fired upon unless it has been recognized clearly as hostile or is positively identified as hostile, or attacks with bombs or gun fire. Commanders of all echelons personally are responsible that the above restrictions are observed (FM 100-5).

(6) Defiles such as bridges and mountain passes are particular targets for aircraft. When defiles cannot be avoided movement through them is rapid.

31. WHILE HALTED. **a.** When the reconnaissance squadron halts, it establishes outposts to provide for all-around security.

b. During a temporary halt to rest, to eat, or to refuel, the advance rear and flank guards establish a march outpost. Vehicles are placed under cover if available and dispersed so they will be at least 50 yards apart. A member of each vehicle crew remains in the vehicle to observe and to man its

armament. Combat patrol are sent out to occupy critical terrain features. Details of security measures to be observed at halts should be contained in standing operating procedure.

c. (1) For protracted halts such as bivouacs, the outpost usually will be furnished by the reserve. An all-around warning system of observation posts comprising air lookouts and sentinels is established. Obstacles are installed to block avenues of approach of mechanized forces. Armored vehicles are placed so that their weapons defend these obstacles. Other armed vehicles and dismounted machine guns are placed to cover other avenues of approach. Mines, trip wires, and booby traps are employed where practicable. All vehicles take advantage of available cover and concealment and improve their positions by means of camouflage. Bivouac areas are selected to take advantage of natural barriers such as wide streams, swamps, lakes, or extremely mountainous country, and should provide more than one exit. When practicable, the bivouac area is selected in daylight, billeting parties are moved in and the bivouac occupied after dark. Routes leading out of the area are reconnoitered and movements into and out of the area are restricted. A definite system of recognition is put into effect to provide for the movement of supply and evacuation vehicles and messengers during the night. Men bivouac near their vehicles. Prone shelters are dug by all personnel for protection against hostile air attack and artillery fire. Security from air attack is obtained by concealment, dispersion, and use of available effective weapons. (See par. 30.)

(2) On terrain which affords little or no concealment, the squadron forms a dispersed bivouac, maintaining generally the same formation as when moving. Particular care

is taken to avoid lines of vehicles. Armored vehicles are placed to provide all-around defense; 37-mm guns and anti-aircraft weapons are manned at all times. Radio equipped vehicular patrols are sent well out to give warning of hostile ground attacks. A hollow triangle or square may be formed. Supply, service, and unarmored command vehicles are placed in the center surrounded by combat vehicles, with all facing in the direction in which they are to move in the event of an alarm. The interval between vehicles should be not less than 50 yards. Night listening posts are established at sufficient distance from the bivouac to give warning of ground attack.

32. TRAIN SECURITY. a. The service elements of reconnaissance troops usually accompany their respective troop headquarters in an advance. However, troop supply and kitchen trucks may be grouped in a squadron train. Security will be provided by their respective units when troop service vehicles are moving with them. When grouped in a squadron train, a medium-range radio set in the squadron maintenance platoon includes the trains in the squadron warning system. The passage of information by arm-and-hand signals from vehicle to vehicle should be standing operating procedure and one man should be on the alert in each vehicle at all times.

b. Passive security measures include dispersion, use of cover, concealment, and speed. Speeds may be increased and decreased sharply within the column when attacked by aircraft. Dispersed irregular formations with increased intervals and distances are adopted in open country. Protection may be provided by squadron by the assignment of combat vehicles from reserve elements to move to the front,

flanks, and rear of the formation. Antiaircraft weapons are manned continuously, but are fired only on command of the senior officer or noncommissioned officer present. (See par. 30).

33. SECURITY FOR OTHER ELEMENTS. The squadron may be attached to a large advance guard for a force of all arms. It may perform a security mission for a group and may have engineers, artillery, or infantry attached to it if the group is reinforced. With or without attachments, the squadron performs security missions for the group by preventing surprise, attack, observation, or interference by hostile forces. It accomplishes this mission by furnishing timely warning to the main body and by attack, delay, or defense at a distance great enough to permit the main body freedom of action. Assault guns and light tanks are employed in support of reconnaissance elements using harassing and delaying action to gain freedom of maneuver for the main body.

34. COUNTERRECONNAISSANCE. a. The reconnaissance squadron as part of a group is capable of executing counterreconnaissance in a zone 15 to 20 miles in width. Counterreconnaissance detachments are echeloned in depth to include three elements: patrols, detachments, and reserves. Each detachment usually will consist of a reconnaissance troop. The detachment commander sends out patrols on a broad front, retaining the bulk of his detachment in support, prepared to assist the patrols. Light tanks and assault guns may be attached and compose a part of the reserve.

b. In a moving screen, seeking to cover a movement, action is offensive to destroy enemy reconnaissance detachments and patrols. The advance of counterreconnaissance patrols is

regulated by movement from one designated coordinating line to another. The squadron, less detachments, follows within supporting distance and coordinates the advance.

c. In a stationary screen, dispositions of the squadron are similar to those of a moving screen. The front of the position is covered by patrols, and the support is located so as to be able to assist them rapidly. Action is defensive in character and is intended to deny enemy reconnaissance of troop concentrations or of an area. Advantage is taken of terrain; obstacles are constructed and demolitions prepared; obstacles are defended.

SECTION IV. COMBAT

35. GENERAL. a. The fundamental principles of both offensive and defensive combat are covered in FM 100-5. To gain information, the reconnaissance squadron may have to act quickly and aggressively. It must be prepared to fight for information. This requires quick appreciation of terrain and the enemy situation, prompt decision, rapid formulation of a plan, and bold execution of that plan. Elements of the assault gun troop and the light tank company provide sufficient fire power to engage in either offensive or defensive action to accomplish reconnaissance missions.

b. The squadron should not become involved so seriously that it cannot withdraw to secure freedom of action for an advance in a new direction.

c. Combat by subordinate reconnaissance elements is described in FM 2-20.

36. TACTICAL GROUPINGS. a. The squadron on reconnaissance engages in offensive action as a unit exceptionally. Reconnaissance troops and platoons may attack to accomplish missions. The squadron commander coordinates the action of the troops and directs the employment of reserve units.

b. In offensive combat, the squadron normally forms a base of fire, a maneuvering force, and a reserve.

(1) The base of fire pins the enemy to the ground and neutralizes his weapons. Elements of the base of fire advance when fire superiority is gained. Elements of reconnaissance and assault gun troops usually constitute the base of fire. Mortar crews of several platoons or troops may be grouped for employment as a battery in the base of fire.

(2) The maneuvering force moves by a covered route to a position from which to attack the enemy flank or rear. It normally will be composed of the light tank company and such additional reconnaissance and assault gun elements as the situation may necessitate. In order to obtain the maximum benefit from the shock and crushing power of the tanks, the tank company should be employed as a unit. Weapons of reconnaissance and assault gun elements attached to the maneuvering force act as a mobile base of fire in direct support of the tank unit. (See figs. 9 and 10.)

(3) A reserve is held out initially by the commander to counter an unpredictable development of the situation or to influence the final result of the action. The strength of the reserve will vary in size from a reconnaissance platoon to a reconnaissance troop. Prior to its commitment to action, the support protects the flanks and rear. It is held until the decisive moment, and committed as a unit.

37. EMPLOYMENT OF WEAPONS. a. General. The squadron possesses heavy fire power in assault guns, mortars, antitank guns, and machine guns, in addition to individual weapons of personnel. Fire must be coordinated in order to achieve maximum results. The most remunerative target for each type weapon must be understood by subordinate commanders; the effects of the various fires fully appreciated; and, finally, all weapons be given definite, appropriate fire missions. Assault guns are discussed below. For other weapons see FM 2-20 and 17-30.

b. Assault guns. Assault guns are employed primarily to destroy antitank guns and crews and machine-gun nests. They also may be used to pin enemy personnel to the ground and to destroy hostile armored vehicles. HE, HE AT, and smoke ammunition are available.

c. Ammunition. Because of the small amount of ammunition carried in each combat vehicle, economy must be exercised in its use. The proper weapon and ammunition must be used. For example, the 75-mm assault gun is used on targets against which other available weapons are ineffective. Disabled vehicles are stripped of ammunition whenever practicable. Small unit commanders check ammunition frequently and redistribute when necessary.

38. COORDINATION AND CONTROL. a. Due to the speed and dispersion of mechanized cavalry actions in combat, control and coordination are difficult. The squadron commander must know the capabilities of his immediate subordinates; how they will execute a given order, and how they will react in a particular situation. Subordinates must know the methods of their superior, know what is expected

of them, and comply with the spirit as well as the letter of orders.

b. The following control measures are included in the attack order to assume coordination and control:

(1) Mission.

(2) Initial dispositions.

(3) Direction of attack for next subordinate elements.

(4) Time of attack.

(5) Objectives for each element.

(6) Signals for lifting supporting fire.

(7) Instructions for maintaining contact and for flank protection.

(8) Initial location of the commander.

c. Where practicable, complete orders are issued orally to assembled subordinate commanders at a point from which the objectives can be seen. Orders are delivered by radio or by messenger to leaders who are absent. Fragmentary orders may be issued when necessary.

d. When the individual unit is committed to the attack, the subordinate commander exercises his initiative in conformity with the general plan. The squadron commander exercises necessary control by means of messengers, radio, and visual signals. Control procedure by means other than radio must be perfected, as the use of radio often will be denied. The commander observes from a forward position or may accompany the maneuvering force.

e. The unit reorganizes promptly when the objective is reached. Preparations are made to repel counterattack and to continue the mission. During reorganization, all-around security must be provided and reconnaissance conducted to the front and flanks; leaders who are casualties must be re-

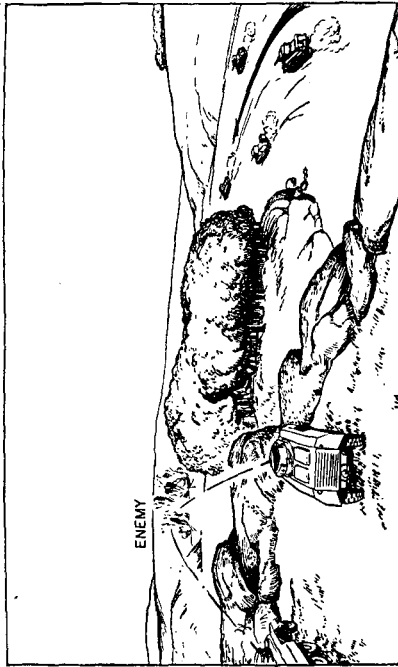


Figure 9. One unit supports another from deflated positions.

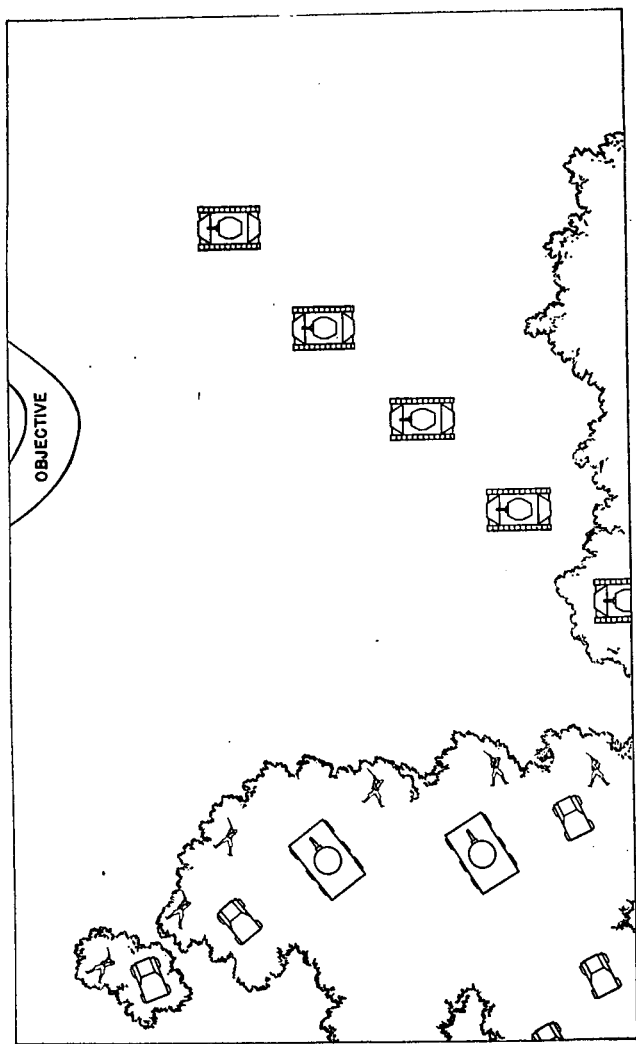


Figure 10. Reconnaissance elements assigned to the maneuvering force act as a mobile base of fire in direct support of the tank unit.

placed and the wounded must be cared for; ammunition must be redistributed; prisoners and captured documents must be sent to the next higher headquarters; results of the action must be reported and orders for future action issued.

39. EMPLOYMENT OF THE LIGHT TANK COMPANY.

a. The light tank company is the principal offensive weapon of the reconnaissance squadron and enables it to operate with greater aggressiveness. The tank possesses characteristics of relatively great fire power, protection to its crew, crushing power, shock, and mobility. The last is limited, however, by terrain features such as ground covered with large stumps and boulders, heavy woods, swamps, and steep slopes which afford loose or slippery footing. The tank company is employed most effectively in combat as a unit, supported by the fire of assault guns to neutralize antitank weapons.

b. The primary mission of the light tank company is offensive action. It seeks to break up organized resistance by destroying hostile personnel automatic weapons and mortar and artillery positions, disrupting communications, and overrunning command posts and impeding the movement of reserves. Since the attack of positions strongly organized in depth is beyond the capabilities of the squadron, the tank company normally is assigned limited objectives. Pursuit is restricted to that necessary to prevent hostile reorganization of the position. The technique of tank operations is described in FM 17-30.

c. Before an attack, the company occupies an assembly position where final preparations for the attack are made. Platoons occupy the area in such manner as will allow them to move directly to attack positions without passing through

other units. Security measures are taken to protect against hostile ground and air observation. Obvious exceptions to the use of an assembly position occur when the company repels a surprise counterattack, or when it attacks directly from march column.

d. Basic attack formations for the platoon and company are discussed and illustrated in FM 17-30 and 17-32.

40. PENETRATION OF A COUNTERRECONNAISSANCE SCREEN.

Incident to the execution of a reconnaissance mission, the squadron may find it is opposed by an enemy whose flanks it cannot side-slip. In such cases a weak spot is sought by the reconnaissance elements. This weak spot then is attacked by the light tank company, supported by reconnaissance elements near the point of attempted penetration, and by available assault guns. The attack may be supported by air bombardment and artillery. A reserve reconnaissance troop moves through the gap created by the tank company, and proceeds to feel out the enemy defenses. The tank company seeks to destroy the hostile covering forces, thus permitting reconnaissance elements to advance.

41. ENVELOPMENT. When the higher echelon attacks by envelopment of one flank, the bulk of the reconnaissance squadron may reconnoiter on the exposed flank. When the attack constitutes a double envelopment, the squadron may operate on both flanks.

42. SEIZING CRITICAL AREAS. The squadron may be ordered to seize and hold a critical area. It may be given the mission of moving forward rapidly to assist paratroops in holding such areas. The squadron moves swiftly to these

areas, fighting to obtain them if necessary. It must be relieved as soon as practicable.

43. ACTION IN A PENETRATION. α. When passed through by assaulting troops, the squadron is reorganized and follows the last echelon of attack, ready to move out on reconnaissance missions when the penetration has been made. (See fig. 11).

b. When the higher echelon to which the squadron is assigned or attached passes through a gap in the hostile line to exploit a penetration made by other troops, the reconnaissance squadron leads.

44. PURSUIT. α. The reconnaissance squadron rarely engages in other than limited pursuit following an independent offensive action.

b. When the higher echelon pursues, the squadron encircles the enemy to gain contact with the retreating columns. It locates and reports on routes that will enable an encircling force from the higher echelon to reach the heads of the columns, and on key positions from which the encircling force can close in and annihilate the enemy. This reconnaissance during a pursuit must be conducted with great vigor. When the retiring force is highly mobile, reconnaissance elements move at maximum speed to complete encirclement.

45. DEFENSIVE ACTION. α. General. (1) The reconnaissance squadron rarely will be called upon to execute a position defense, but it or its elements may be required to defend observation posts, bridges, or defiles in order to accomplish reconnaissance missions. Defensive action may be required at other times as the result of enemy action. The

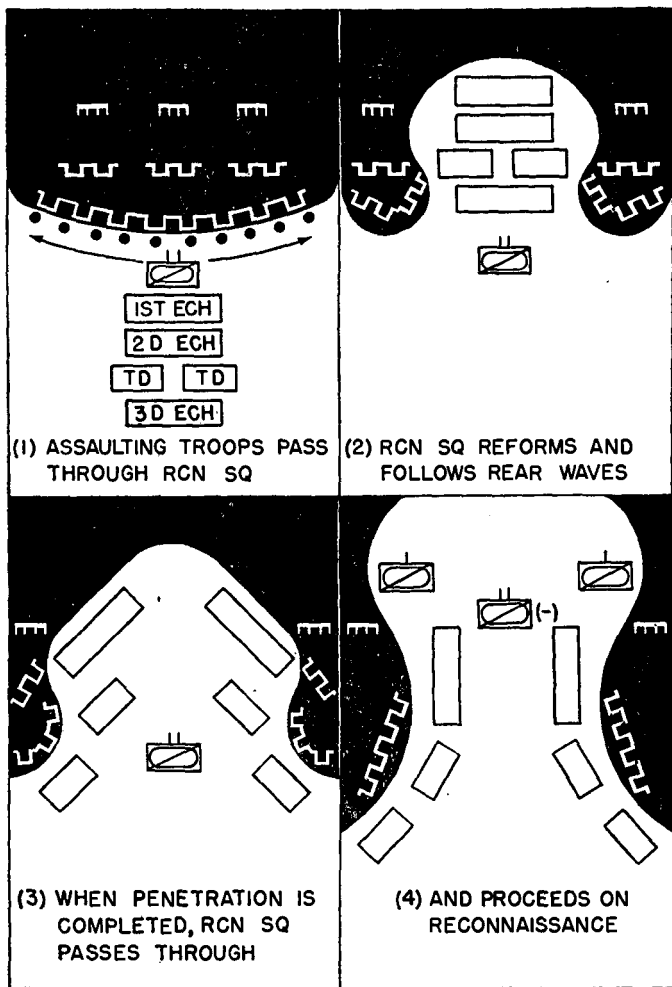


Figure 11. When passed through in a penetration, the squadron reorganizes and follows the last echelon of attack.

decision to defend a position rather than to conduct a delaying action should be made only after weighing the advantage to be gained against the risk involved.

(2) When reinforced by troops more suitable for defensive action, a portion of the squadron's fire power may be assigned to strengthen the position. The remainder of the unit, including the light tank company, is used in counterattacks and limited offensive operations against the hostile flanks.

b. Defense of a position. (1) Defense of an isolated position requires patrolling on all routes of approach, local security measures, organization of ground for all-around defense, and mobile reserves available to occupy previously prepared positions or to counterattack. The position is organized to the extent that time permits. Sectors for defense are assigned to subordinate units; the light tank company usually is held in reserve prepared to counterattack, particularly against hostile flank attacks. Assault gun elements are attached to reconnaissance units. For conduct of defensive action by reconnaissance troops, see FM 2-20.

(2) When the higher echelon is engaged in defending a position, the reconnaissance squadron contacts the enemy, reports his strength and movements, and may be part of counterreconnaissance force. It may fight a delaying action, withdrawing along previously reconnoitered routes. It seeks to lead the enemy into a false conception of the defensive position. The squadron then reconnoiters to the flanks and prepares to resume the offensive or assist in withdrawal.

c. Delaying action. (1) Delaying actions frequently will occur in connection with execution of reconnaissance missions. Having located the enemy, and secured and re-

ported the information needed by the higher commander to plan his operations, the squadron may be given the mission of impeding the movement of the hostile force to gain the time and space necessary for the operation. When the higher echelon withdraws, the squadron may be ordered to delay hostile pursuit.

(2) Elements of the squadron may be required to hold and delay on one position for a predetermined time. A unit defending a single position to effect delay organizes the positions and blands its fires as indicated in b above.

(3) Delaying action may be conducted in successive positions by offering limited resistance only on each position. Two or more positions may be occupied simultaneously thus giving depth. The reserve protects the flanks, keeps the enemy from bypassing the position, and assists in covering withdrawal of rear elements. The unit is deployed on as broad a front as will permit control and mutually supporting fires. When a flank is exposed, a stronger reserve is retained. A position near a topographical crest is better generally than one on a military crest, in that it affords the unit defilade immediately upon initiation of withdrawal. Fires are opened at extreme ranges in order to force the enemy to deploy and to make time-consuming preparations for attack. A natural barrier to enemy approach is desirable. Mines are placed if time permits. Early reconnaissance of successive positions and routes of withdrawal by all leaders is necessary. Withdrawal to a rear position is made before hostile fire can pin the unit to the ground and before the enemy can reach assaulting distance. Withdrawal can be made by elements successively or simultaneously. When withdrawing successively, units support one another's movement. When they withdraw simultaneously, each unit supports its own with-

drawal by designating a small covering force to protect the movement by fire from a flank or the rear. Patrols maintain contact with the enemy between delaying positions. Small groups with automatic weapons effect additional delay from intermediate positions.

d. Withdrawals. (1) In a retrograde movement of the unit to which the reconnaissance squadron is assigned or attached, the squadron operates on the hostile flanks to locate, harass, and delay hostile pursuing forces. It may have engineer units attached to prepare obstacles and demolitions. Withdrawal must be effected before becoming too closely engaged. The delaying force must be kept constantly informed of the progress of the hostile troops. Contact is maintained and enemy progress reported by reconnaissance elements observing the hostile route of march from positions along the flanks. These detachments harass the enemy by firing into the flank of the hostile force, then quickly retiring to other points of observation. (See fig. 12).

(2) During a retrograde movement, there will be frequent opportunities for elements of the squadron to prepare ambushes into which enemy troops, especially security groups, can be drawn and annihilated.

(3) Unit commanders may be given mission type orders in a delaying action. Every means of communication will be used to effect coordination and control.

(4) Air cooperation is invaluable in maintaining hostile and friendly contact and in reporting targets of opportunity. This cooperation is not restricted to observation aviation but envisages the utmost use of combat aviation to operate against the heads of enemy columns.

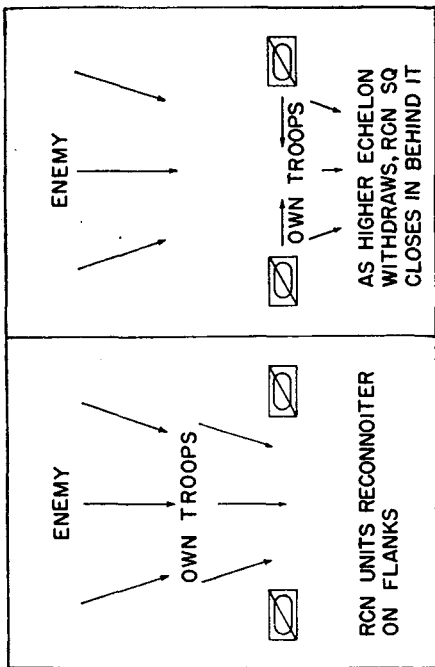


Figure 12. *Withdrawal.*

SECTION V. ACTION AT RIVER LINES

46. ATTACK OF A RIVER LINE. **a.** Fundamental principles governing attack of a river line are covered in FM 100-5.

b. In the attack of a river line by the unit to which the reconnaissance squadron is assigned or attached, the squadron, with engineer reconnaissance parties attached, reconnoiters the river line. Reconnaissance elements cross the river by means of assault boats, by swimming, by boats found along the river, by rafts, or by expedients described in FM 2-20. Dismounted men reconnoiter the river bank on both sides, if practicable. The enemy weak spots must be found.

c. A portion of the squadron may make a feint at crossing at one or more points to draw the attention of the enemy.

d. When the crossing point or points have been selected, elements of the squadron not already across the stream prepare to cross immediately behind the bridgehead troops. If enemy resistance is light, the squadron should be ferried across immediately after the assault troops. The squadron re-forms and proceeds on reconnaissance. (See fig. 13). If resistance is heavy, reconnaissance units cross after the bridgehead is gained. (See fig. 14).

e. A definite plan of reconnaissance for the far side of the river must be made. Reconnaissance troops are assigned zones and objectives based upon the squadron mission.

47. DEFENSE OF A RIVER LINE. (See FM 100-5).

In the defense of a river line by the unit to which the reconnaissance squadron is assigned or attached, the squadron, reinforced as necessary with engineers and other troops,

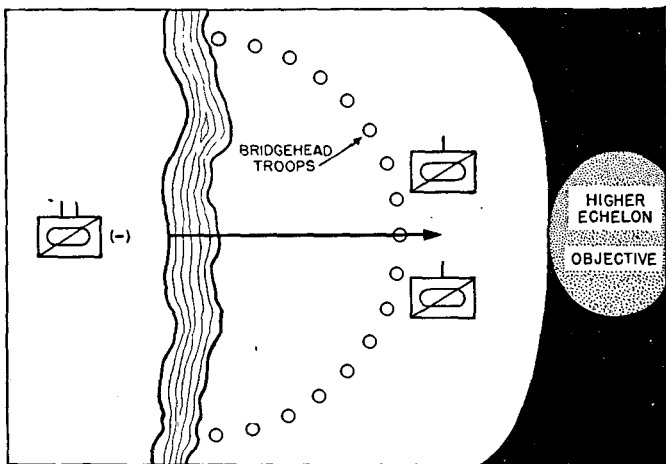


Figure 13. When enemy resistance is light, reconnaissance elements are ferried across early and proceed to reconnoiter assigned zones and objectives.

performs reconnaissance missions initially on the far side of the stream. It withdraws slowly before the advancing enemy, constantly determining his strength and direction of movement. It withdraws to previously designated crossings which may be permanent bridges, ponton bridges, ferries, or fords. Part of the squadron withdraws to the flanks to report on any enemy movements to the flanks. After withdrawal to the near bank of the stream, reconnaissance units are used to patrol the stream bank and the flanks. (See fig. 15.)

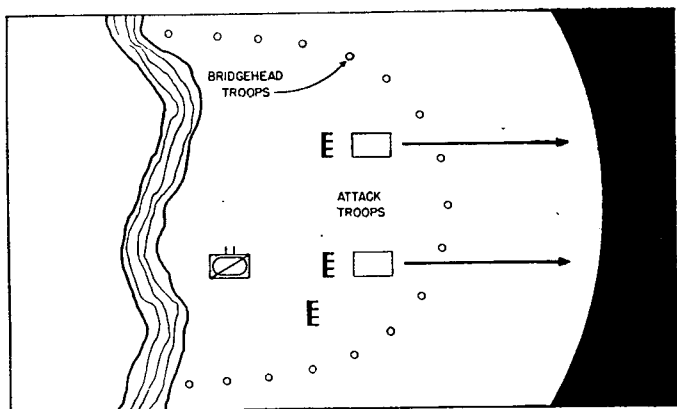


Figure 14. If resistance is heavy, reconnaissance units cross after bridgehead is gained and assault troops have crossed to attack. They follow the attack closely, ready to go out ahead after enemy line has been penetrated.

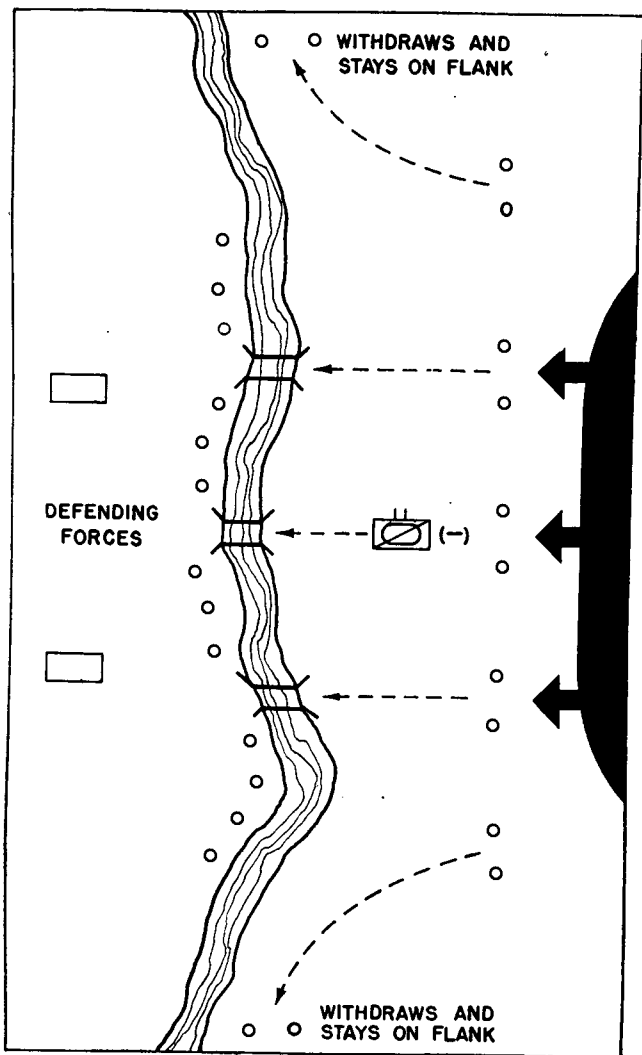


Figure 15. Action of a reconnaissance squadron in defense of a river line.

LOGISTICS

SECTION I. SUPPLY

48. GENERAL. a. The general doctrine of supply is contained in FM 100-10.

b. Supply presents difficult problems for the mechanized cavalry reconnaissance squadron, because of the speed with which it moves and because of the distance it may be required to operate in advance of its parent unit. For details of supply of individual reconnaissance troops, see FM 2-20. FM 17-50 covers supply of the reconnaissance squadron with the armored division. The squadron generally is resupplied from advanced supply points, or by air when it is operating beyond the range of unit transportation.

c. Supply is a function of command which cannot be delegated; the squadron commander is responsible for the supply of his organization. This responsibility includes the anticipation of supply needs, the timely transmission of requests and data upon which amounts of supply are based, and the distribution of supplies made available. It embraces not only the supply of the squadron, but of attached units as well.

d. The squadron S-4 consolidates troop requisitions and reports forming the basis of issue of supplies, forwards them as prescribed by the higher echelon, and is responsible for coordinating the flow of supplies from supply points to troops.

e. The first reservoir of supply in the squadron is the ammunition, gasoline, oil, and rations carried on the individual soldier or vehicle. The second is transported in the service element of each troop; the third, in the higher echelon train.

49. MEANS FOR SUPPLY. For details of personnel and vehicles available to the squadron, see current Tables of Organization and Equipment. Each subordinate element has personnel and equipment grouped in an administrative, mess, and supply section to provide for its individual needs. In addition, the headquarters and service troop contains a squadron supply section and a transportation platoon. All means of transportation must be pooled for all classes of supply to insure their most economical use in drawing from supply points and in distributing to subordinate elements. Close liaison must be maintained between the squadron supply and maintenance sections in order to know at all times the needs for replacement of weapons, combat vehicles, and radios, together with the status of the spare parts and tools for maintenance of these items.

50. METHOD OF SUPPLY. a. General. Normal resupply of the squadron is accomplished by assembling the troop trains into a squadron train which moves to the rear and draws supplies from advanced supply points. When troops are operating independently at considerable distances from the squadron CP, troop supply elements may be authorized to draw supplies individually from supply points. When the squadron operates at a considerable distance from its parent unit, it may be necessary for the higher echelon to attach additional transportation, issue an extra day of supply, assume direct responsibility for resupply of the squadron, or establish forward supply points.

b. Class I supplies. (1) This class includes those items that are consumed at a relatively uniform daily rate, irrespective of combat operations or terrain, and which do not

necessitate special adaptation to meet individual requirements. Rations and water are the principal class I items.

(2) A ration is the allowance of food for one person for 1 day. The garrison ration is ordinarily prescribed in time of peace. It is issued in the form of a money allowance. Units draw such available food components as they may elect within this allowance, and may be credited with ration savings. The field ration is ordinarily issued in time of war, national emergency, or field training. It is issued in kind and the ration savings privilege is suspended. Its components and substitutes are prescribed by the War Department or the commander of the field forces, and may consist of field rations A, B, C, D, K, or 10-in-1, or combination of these. For components of these rations see FM 101-10.

(3) Troops should receive three meals per day. If the tactical situation permits at least two of these meals should be hot. However, owing to the dispersion of the squadron in active operations, a major portion of the personnel frequently must subsist on C, D, or K rations. The rations may be heated on the cooking outfit provided for each vehicle.

(4) The quantity and type of rations to be carried by individuals, in vehicles, and on unit trains as a prescribed load is announced from time to time by the division or higher commander. Rations are replaced daily, the basis of replacement being the strength of the squadron, and are estimated 1, 2, or 3 days in advance.

(5) In combat, the daily strength report constitutes the requisition for rations. Troops send their strength reports to the squadron headquarters. There the S-1 section makes a consolidated report and sends it to the higher echelon headquarters. One copy is prepared for the squadron S-4. On

the basis of this report, rations in bulk are issued to the squadron at the army supply point 1 or more days later. The squadron S-4, or his representative, makes adjustment with the railhead officer to meet any differences shown by the most recent strength report.

(6) The squadron sends transportation to the army supply point to obtain rations according to a time schedule established by the higher echelon. Rations are loaded by army service personnel assisted by truck drivers. Rations received are checked against itemized lists forwarded at the time of issue.

(7) The squadron sorts the rations at the squadron train bivouac and divides them into troop lots. The amounts due each troop are determined by multiplying the strength of each unit, including personnel attached for rations, by the prescribed allowance per man per item. When these amounts are determined, the various items are weighed or counted and divided into troop lots. This break-down is supervised by an officer and should be completed before distribution is begun in order to avoid confusion and equalize shortages. At least once each week a field officer should check the methods used in determining the amounts and inspect the division of rations into company lots.

(8) Detached troops may draw their rations from the unit to which attached.

(9) Filled water cans are carried by kitchen vehicles. In addition, there is a water truck for the battalion. Water may be issued with the rations but in most cases is replenished locally from water points established by the engineers. Water obtained from any source not approved by a medical officer or an engineer water supply detachment will be chlorinated before being used for cooking or drinking pur-

poses. Water may be purified by boiling for from 3 to 5 minutes. This can be done for a small group. Water is supplied to personnel from canvas water sterilizing bags in the vicinity of the kitchen or from 5-gallon water containers.

c. Class II supplies. (1) Class II supplies comprise articles for which allowances are prescribed by Tables of Equipment. Type items are clothing, gas masks, arms, trucks, and radio sets. Prior to movement into a combat zone the squadron commander must insure that authorized comments are on hand. Thereafter, he should see that clothing and equipment not essential to fighting are replaced during periods when the squadron is not in combat. Other items should be replaced as soon as they are lost, damaged beyond organizational repair, or destroyed.

(2) Troops send requests for replacements to squadron headquarters. Here the squadron S-4 consolidates the requisitions and sends it to the appropriate supply agency. When notified by the higher echelon the squadron S-4 by means of organic transportation draws the supplies from designated army supply points and distributes them to troops.

d. Class III supplies. (1) This class of supplies includes gasoline and lubricants. The amount of gasoline needed to move all vehicles of the squadron 1 mile is called the unit mile. This is used to compute quantities for marches. The amount of grease and oil needed are computed by multiplying the unit mile by factors determined by experience in similar operations or as prescribed by a higher commander (FM 101-10). For movement, all fuel tanks and all containers are filled before starting.

(2) The method of distributing class III supplies varies with the situation. Every effort is made to simplify and expedite distribution. The squadron headquarters and serv-

ice troop has trucks for transport of fuel and lubricants. These transport fuel in containers to the units and exchanges filled containers for empty ones. Fuel is drawn from supply points pushed well forward by army.

e. Class IV supplies. (1) This class includes those articles which are not in Tables of Equipment and demands for which are directly related to the operations contemplated or in progress (except articles in classes III and IV), such as fortification material, construction material, and machinery. Engineer fortification material and signal supplies are the main items of concern.

(2) Items are procured on requisition by S-4 as in c(2) above.

f. Class V supplies. (1) This includes ammunition, pyrotechnics, antitank mines, antipersonnel mines, grenades, and chemicals. Combat vehicles must be fully supplied at the start of the operation.

(2) During combat every effort must be made to keep ammunition replenished. The headquarters and service troop has trucks for this purpose. Other vehicles may be used as available. For ammunition supply of the troop see FM 2-20. The squadron S-4 coordinates the ammunition supply and supervises its procurement.

51. LOCAL PROCUREMENT OF SUPPLIES. a. When engagement at an extreme distance from supply points can be foreseen, plans for the utilization of local resources should be made and an authorization therefor obtained. The extent of such local resources will vary in different theaters and in areas within theaters. Ordinarily, the only supplies which will be found will be rations and water. Any such local

procurement will be of great assistance since it will release more vehicles for transportation of other supplies. Methods of local procurement are described in FM 10-5 and in pertinent instructions issued by theater commanders.

b. At times, enemy supplies and matériel may be captured; if needed, they are utilized. Captured matériel should be examined carefully for booby traps. Food, motor fuel, and lubricants should be checked for contamination. In order that captured weapons and vehicles may be placed in action expeditiously, all members of tactical units should be trained, if practicable, in their operation before entering combat.

SECTION II. VEHICULAR MAINTENANCE AND EVACUATION

52. REFERENCES. AR 850-15; FM 25-10 and 100-10; TM 9-2810, 10-460, 21-300, 21-301, and Technical Manuals for the vehicle concerned.

53. UNIT MAINTENANCE. Each subordinate unit of the reconnaissance squadron has a maintenance section which performs second echelon maintenance for its troop vehicles. In addition, the squadron headquarters and service troop has a squadron maintenance platoon which performs second echelon maintenance for the squadron as a whole. The squadron may be reinforced by elements of higher echelon maintenance units. In combat, the distinction between echelons of maintenance is slight. Each maintenance unit does such work with the tools, spare parts, and mechanics available, as time, the tactical situation, and training of personnel permit. Troop maintenance will not undertake work so ex-

tensive that service to a large number of other vehicles is prevented. Vehicles must be kept rolling. Proper maintenance is a command function which must receive continuous personal attention of all commanders.

54. MAINTENANCE PLAN. a. Before starting an operation, the squadron commander, after acquainting his staff with plans for employment of the squadron, calls upon the motor officer for a plan of maintenance. The plan is based upon a maintenance estimate of the situation which includes probable enemy resistance, terrain, and the width of the zone in which operations are to be conducted. The maintenance plan includes—

(1) Axis of maintenance.

(2) Squadron support of troop maintenance sections.

(3) Need for and use of personnel attached from higher echelon.

(4) Supplies and replacement parts needed in addition to those habitually carried.

(5) Method of reporting and locating disabled vehicles. This should be standing operating procedure.

(6) Method of evacuation of vehicles disabled beyond capabilities of the squadron maintenance platoon to repair, or for which there is no time for repair.

b. It is desirable to bring disabled vehicles to the bivouac area of the maintenance platoon but usually it is necessary for the squadron to send mechanics, tools, and parts to the disabled vehicle as a matter of expediency. The scope of the work that the organic maintenance personnel can perform is limited more by the replacement parts that they can transport than by their organic tools and equipment. Consideration is given to the fact that parts removed from a

hopelessly disabled vehicle may be the means of restoring to service several vehicles that otherwise would have to be evacuated.

c. Evacuation of vehicles which the squadron maintenance platoon is incapable of repairing normally is a function of higher echelon maintenance units. Such vehicles are left in the squadron service park, or where disabled, and the higher headquarters notified of their location.

SECTION III. MEDICAL SERVICE FOR THE SQUADRON

55. GENERAL. The reconnaissance squadron has only a small medical detachment. Frequently it may be reinforced by personnel from higher echelon medical units. FM 8-5 and 8-10 cover generally the subject of evacuation of casualties from field units. For details of personnel and equipment of the squadron medical detachment, see T/O & E 2-25.

56. PLAN FOR EMPLOYMENT OF SQUADRON MEDICAL DETACHMENT. α. Scope. The squadron surgeon prepares and submits to the squadron commander a plan for evacuation of casualties. This plan is based upon the plans of the squadron commander for employment of the squadron, the enemy situation, and an estimate of medical needs for the squadron. The plan may be largely standing operating procedure and includes—

- (1) Axis of evacuation.
- (2) Establishment of squadron aid station.
- (3) Detail of medical personnel to subordinate units

- (4) Disposition of casualties.
- (5) Support needed from higher echelon medical units.
- (6) Medical supplies.

b. Axis of evacuation. This coincides with the squadron axis of communication and maintenance. Depending upon the disposition of the squadron, casualties will be evacuated directly to higher echelon medical installations in ambulances provided with the squadron, or will be collected at points on this axis for evacuation later by division or higher units.

c. Aid station. Formal aid stations rarely are established because of rapid movement of the squadron. In some situations, the squadron surgeon causes casualties to be collected at a point, in the vicinity of but not adjacent to the command post, and either sends them to the rear in available medical or supply vehicles, or holds them under cover for the arrival of higher echelon medical units.

d. Detail of medical personnel to troops. Medical personnel and vehicles are detailed to accompany leading reconnaissance troops in accordance with the need indicated by the situation. The remainder of the detachment stays with the squadron reserve. On the march, one ambulance moves at the rear of the column just in front of the last maintenance vehicle. When the command post is established at the halt, this vehicle joins the squadron surgeon. When the reserve reconnaissance troop or the tank company goes into action, this ambulance accompanies it to care for casualties. Medical personnel detailed to a troop remains with the troop headquarters. They receive reports of casualties from the troop commander, move to the point where such casualties occur, administer what medical aid they can, and evacuate

the casualties in their vehicle. The troop ambulance, able to carry four litter or six sitting cases, will evacuate cases to troop or squadron headquarters, or to a higher echelon collecting station, as the medical plan may provide. It is important to get the wounded back as quickly as possible.

e. Disposition of casualties. First aid is administered by other members of the casualty's vehicle crew. The casualty then either is carried on in the vehicle or removed and placed where he can be found readily. The position should be marked and the location reported to the troop commander. Wounded are given medical aid at these locations, either by aid men or a medical officer. The quicker that medical aid is given, the better the results. Seriously wounded personnel must reach hospitals as soon as possible; squadron medical personnel attached to the troop may evacuate seriously wounded direct to the nearest medical battalion installation; bypassing the squadron aid station often will be desirable. (See figs. 16 and 17).

f. Support by higher echelon medical units. When it is expected that the casualty rate will be high, attachment of elements from higher echelon medical units are requested by the squadron surgeon through the squadron commander.

g. Medical supplies. Medical supplies are sent forward on squadron supply vehicles. The squadron surgeon makes requests for such supplies on the surgeon of the next higher headquarters.

SECTION IV. MISCELLANEOUS

57. PRISONERS OF WAR. α. The disposition of prisoners is described in FM 30-15. While it is desirable to evacuate prisoners rapidly for examination, reconnaissance elements will not interrupt operations to do so unless there is some reason to believe that important information can be obtained from them.

b. Prisoners should be disarmed immediately after capture. Normally, they are permitted to retain their clothing, identification tags, decorations, insignia of rank, and valuables. Officers, noncommissioned officers, and enlisted men must be divided into separate groups.

c. Documents found on prisoners will be removed from them, identified with the prisoners on whom found, and sent to the rear with the prisoners from whom taken.

d. New identifications must be reported immediately to the higher echelon, giving time and place of capture.

e. In order to obtain maximum information from prisoners, they should be interrogated before the shock of capture or injury wears off. Therefore, it is important that prisoners reach higher echelon interrogation sections as soon as possible. For this reason, maximum use must be made of returning motor transportation and captured motor vehicles for the evacuation of prisoners. Wounded prisoners are evacuated in the same manner as friendly wounded.

f. When large numbers of prisoners are taken, or when the situation makes evacuation by reconnaissance detachments impracticable, they should be segregated and left under guard. Their identity and location should be reported to enable squadron personnel to locate them without delay.

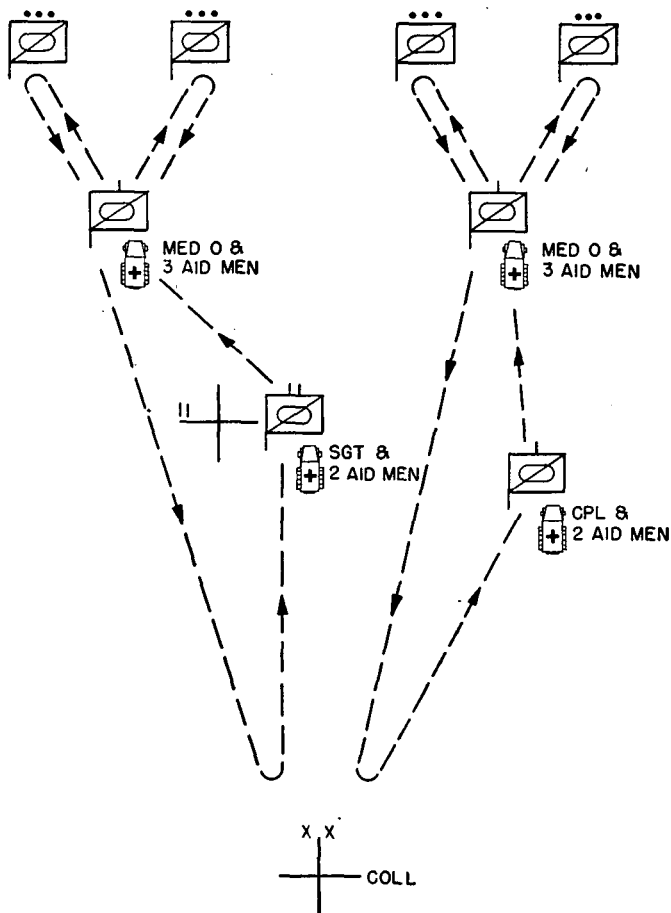


Figure 16. With two troops on the line, the medical officer and three aid men with the troop reach the wounded by ambulance and give medical aid on the field. Seriously wounded are evacuated to higher echelon collecting stations by ambulance. Medical officer and one aid man drop off at troop CP; ambulance with two aid men comes up from squadron aid station (reserve troop CP), replacing evacuating ambulance. Sergeant and corporal remain, checking ambulances going to rear, and giving first aid to wounded from squadron headquarters and reserve troop. Wounded from squadron and reserve troop evacuated by improvised litter carrier.

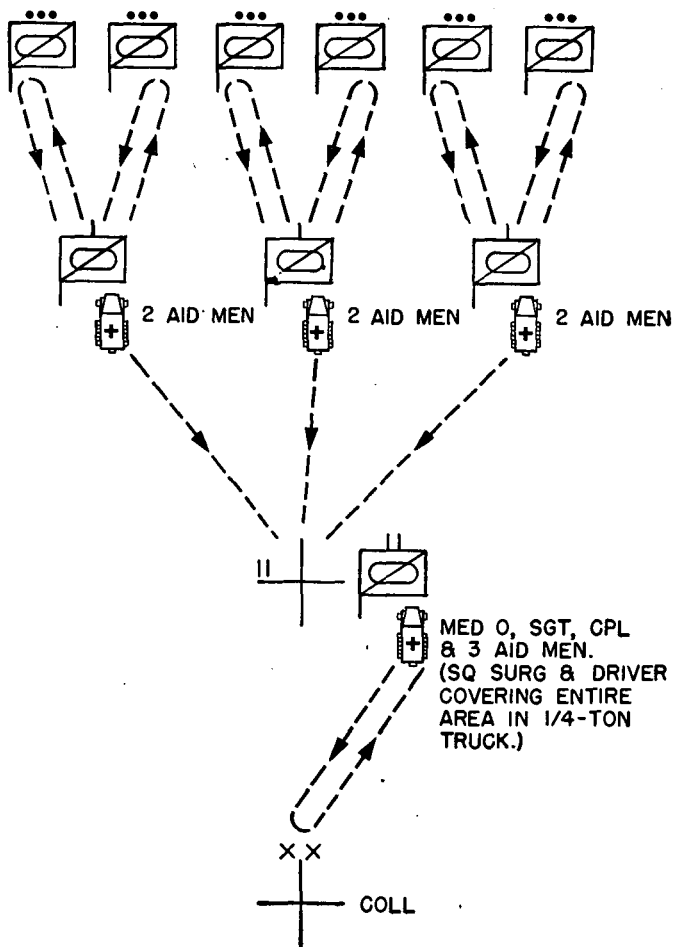


Figure 17. With three troops on the line, casualties are picked up on the field by ambulance and brought to troop CP. Evacuation is to squadron aid station by supply vehicles or improvised litter carriers. Medical aid is given at squadron aid station and evacuation to nearest higher echelon collecting station is effected by medical detachment ambulance or supply vehicle. Wounded must not be allowed to accumulate at the squadron aid station.

58. BURIALS. Burial normally is by Army, but in emergencies may be by organization. The organization responsible for burials is specified in administrative orders of higher headquarters or designated in separate instructions. If burial is by organization, reports will be made through channels as to location of graves and such data as may be required for grave registration. Information to be recorded includes decedent's name, serial number, grade, and organization; place, cause, and date of death; date of burial and location of grave. (See FM 100-10 and TM 10-630.)

INDEX

| | <i>Paragraph</i> | <i>Page</i> |
|------------------------------------------------|------------------|-------------|
| Action: | | |
| At river lines..... | 46, 47 | 59 |
| Defensive..... | 45 | 53 |
| Delaying..... | 45 | 53 |
| In a penetration..... | 43 | 53 |
| Adjutant, duties..... | 8 | 6 |
| Advance guards..... | 30 | 37 |
| Aid station..... | 56 | 72 |
| Air attack, security from..... | 30 | 37 |
| Air-ground communication..... | 14 | 19 |
| Ammunition..... | 37 | 47 |
| Antitank guns, employment..... | 37 | 47 |
| Areas, reconnaissance..... | 20 | 24 |
| Arm-and-hand signals..... | 10 | 11 |
| Assault guns, employment..... | 37 | 47 |
| Assembly points..... | 22 | 26 |
| Attack of a river line..... | 47 | 59 |
| Axis of evacuation..... | 56 | 72 |
| Base of fire..... | 36 | 46 |
| Battle reconnaissance..... | 27 | 32 |
| Bivouac security..... | 31 | 41 |
| Burials..... | 58 | 78 |
| Casualties, disposition..... | 56 | 72 |
| Close reconnaissance..... | 27 | 32 |
| Combat..... | 35 | 45 |
| Commanders, functions..... | 17 | 21 |
| Communication..... | 9 | 10 |
| Air-ground..... | 14 | 19 |
| Equipment, destruction..... | 14 | 19 |
| Equipment maintenance..... | 12 | 13 |
| Officer, duties..... | 8 | 6 |
| Wire..... | 11 | 13 |
| Control..... | 22 | 26 |
| Coordination and control..... | 38 | 47 |
| Coordination of signal communication..... | 9 | 10 |
| Counterreconnaissance..... | 34 | 44 |
| Counterreconnaissance screen, penetration..... | 40 | 52 |
| Covering detachments..... | 30 | 37 |

| | <i>Paragraph</i> | <i>Page</i> |
|------------------------------------------------|------------------|-------------|
| Critical areas, seizing..... | 42 | 52 |
| Defense of a— | | |
| Position..... | 45 | 53 |
| River line..... | 47 | 59 |
| Defensive action..... | 45 | 53 |
| Delaying action..... | 45 | 53 |
| Depth, rate of advance, and frontage..... | 19 | 23 |
| Destruction of communication equipment..... | 14 | 19 |
| Detachments: | | |
| Covering..... | 30 | 37 |
| Security..... | 30 | 37 |
| Strength..... | 21 | 25 |
| Disposition of casualties..... | 56 | 72 |
| Dispositions on reconnaissance..... | 21 | 25 |
| Distant reconnaissance..... | 26 | 31 |
| Doctrine of supply..... | 48 | 64 |
| Duties of squadron headquarters personnel..... | 8 | 6 |
| Employment, principles governing..... | 16 | 20 |
| Employment of— | | |
| Light tank company..... | 39 | 51 |
| Medical detachment..... | 56 | 72 |
| Weapons..... | 37 | 47 |
| Enemy interception, radio..... | 14 | 19 |
| Envelopment..... | 41 | 52 |
| Equipment..... | 4 | 3 |
| Evacuation, axis..... | 56 | 72 |
| Execution of— | | |
| Close and battle reconnaissance..... | 27 | 32 |
| Distant reconnaissance..... | 26 | 31 |
| Executive officer, duties..... | 8 | 6 |
| Flag signals..... | 10 | 11 |
| Flank guards..... | 30 | 37 |
| Frontage, depth, rate of advance..... | 19 | 23 |
| Functions of commanders..... | 17 | 21 |
| Groupings in combat..... | 36 | 46 |
| Guards: | | |
| Advance..... | 30 | 37 |
| Flank..... | 30 | 37 |
| Rear..... | 30 | 37 |

| | <i>Paragraph</i> | <i>Page</i> |
|---------------------------------------------|------------------|-------------|
| Individual weapons, employment..... | 37 | 47 |
| Information, transmission..... | 25 | 30 |
| Intelligence officer, duties..... | 8 | 6 |
| Liaison..... | 23 | 28 |
| Liaison officer, duties..... | 8 | 6 |
| Light tank company, employment..... | 39 | 51 |
| Local procurement of supplies..... | 51 | 69 |
| Logistics..... | 48, 58 | 64, 78 |
| Machine guns, employment..... | 37 | 47 |
| Maintenance— | | |
| Of communication equipment..... | 12 | 13 |
| Plan..... | 54 | 71 |
| Unit..... | 53 | 70 |
| Maneuvering force..... | 36 | 46 |
| March security..... | 30 | 37 |
| Means— | | |
| For supply..... | 49 | 65 |
| Of signal communication..... | 9, 10 | 10, 11 |
| Medical: | | |
| Personnel..... | 56 | 72 |
| Service..... | 55 | 72 |
| Supplies..... | 56 | 72 |
| Messengers..... | 10 | 11 |
| Method of supply..... | 50 | 65 |
| Methods, training..... | 7 | 5 |
| Mission: | | |
| Of communication..... | 9 | 10 |
| Tactical..... | 15 | 20 |
| Mortars, employment..... | 37 | 47 |
| Motor officer, duties..... | 8 | 6 |
| Moving counterreconnaissance..... | 34 | 44 |
| Nets, radio..... | 13 | 14 |
| Night reconnaissance..... | 28 | 33 |
| Objectives, training..... | 5 | 4 |
| Operations officer, duties..... | 8 | 6 |
| Orders and reconnaissance instructions..... | 24 | 29 |
| Organization, squadron..... | 3 | 1 |
| Panels..... | 10 | 11 |

| | <i>Paragraph</i> | <i>Page</i> |
|----------------------------------------|------------------|-------------|
| Penetration: | | |
| Action in..... | 43 | 53 |
| Of a counterreconnaissance screen..... | 40 | 52 |
| Personnel, signal communication..... | 9 | 10 |
| Phase lines..... | 22 | 26 |
| Plan, maintenance..... | 54 | 71 |
| Position defense..... | 45 | 53 |
| Principles governing employment..... | 16 | 20 |
| Prisoners of war..... | 57 | 75 |
| Purpose of manual..... | 1 | 1 |
| Pursuit..... | 44 | 53 |
| Pyrotechnics..... | 10 | 11 |
| Radio..... | 10 | 11 |
| Equipment, testing..... | 12 | 13 |
| Interference, enemy..... | 14 | 19 |
| Nets..... | 13 | 14 |
| Rate of advance..... | 19 | 23 |
| Rear guards..... | 30 | 37 |
| Reconnaissance..... | 18 | 22 |
| At night..... | 28 | 33 |
| Close and battle..... | 27 | 32 |
| Dispositions on..... | 21 | 25 |
| Distant..... | 26 | 31 |
| Instructions..... | 24 | 29 |
| Responsibility for communication..... | 9 | 10 |
| River line: | | |
| Attack..... | 46 | 59 |
| Defense..... | 47 | 59 |
| Rocket launchers, employment..... | 37 | 47 |
| Routes, zones, and areas..... | 20 | 24 |
| Scope of— | | |
| Manual..... | 2 | 1 |
| Training..... | 6 | 5 |
| Security..... | 29 | 37 |
| Detachments..... | 30 | 37 |
| For other elements..... | 33 | 44 |
| From air attack..... | 30 | 37 |
| Signal communication..... | 9 | 10 |
| While halted..... | 31 | 41 |
| While moving..... | 30 | 37 |
| Seizing critical areas..... | 42 | 49 |

| | <i>Paragraph</i> | <i>Page</i> |
|--------------------------------------------|------------------|-------------|
| Signal communication: | | |
| Personnel..... | 9 | 10 |
| Security..... | 9 | 10 |
| Training..... | 9 | 10 |
| Utilization of assigned means..... | 10 | 11 |
| Smoke signals..... | 10 | 11 |
| SOP, communication..... | 13 | 14 |
| Sound signals..... | 10 | 11 |
| Squadron— | | |
| Commander, duties..... | 8 | 6 |
| Medical service..... | 55 | 72 |
| Station, aid..... | 55 | 72 |
| Stationary counterreconnaissance..... | 34 | 44 |
| Strength of detachments..... | 21 | 25 |
| Suggestions for communication SOP..... | 13 | 14 |
| Supply: | | |
| Doctrine..... | 48 | 64 |
| Local procurement..... | 51 | 69 |
| Means for..... | 49 | 65 |
| Medical..... | 56 | 72 |
| Method..... | 50 | 65 |
| Officers, duties..... | 8 | 6 |
| Tactical— | | |
| Groupings in combat..... | 36 | 46 |
| Mission..... | 15 | 20 |
| Vehicles..... | 4 | 3 |
| Testing radio equipment..... | 12 | 13 |
| Training: | | |
| Methods..... | 7 | 5 |
| Objectives..... | 5 | 4 |
| Scope..... | 6 | 5 |
| Signal communication..... | 9 | 10 |
| Transmission of information..... | 25 | 30 |
| Unit maintenance..... | 53 | 70 |
| Utilization of means of communication..... | 10 | 11 |
| Vehicles, tactical..... | 4 | 3 |
| War, prisoners..... | 57 | 75 |
| Weapons..... | 4 | 3 |
| Employment..... | 37 | 47 |
| Wire communication..... | 11 | 13 |
| Withdrawals..... | 45 | 53 |
| Zones, reconnaissance..... | 20 | 24 |